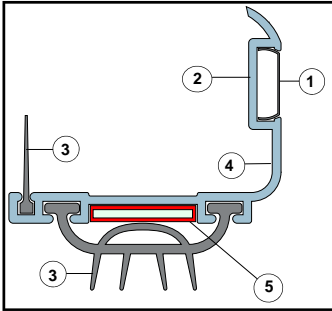


# FDBU20

## Fitting Instruction

Fire Door Bottom Upgrade



### Length:

This seal contains Intumescent material and is used for upgrading AS/NZS1905/1 fire door assemblies with non compliant / excessive door bottom clearances. It is approved for use on gaps up to 20mm

### DESCRIPTION OF CONTENTS

- Decorative cover strip (1)
- Pre-slotted holes (2)
- Flexible silicone rubber gasket (3)
- Aluminium carrier (4)
- Lorient high performance fire seal **DO NOT REMOVE.** (5)
- Bag of fixing screws
- Fitting instruction

### TOOLS REQUIRED FOR INSTALLATION

- Tape measure
- Saw (power or hand)
- Screw driver
- 2.5mm drill bit
- Drill (power or hand)
- Knife
- Pencil or marker

### INSTALLATION DETAIL

It is not necessary to remove the door from the hinges and no painting is required after installation.

#### STEP 1

Remove the FDBU20si seal from the packaging.

#### STEP 2

This seal may be fixed to either side of the door.

#### STEP 3

Remove the decorative cover strip and flexible gasket from the aluminium carrier. (do not remove the Intumescent strip)

#### STEP 4

Measure the door width and cut the aluminium carrier and integral Intumescent strip to length required.

#### STEP 5

If the carrier is to be screw fixed to the stop side of the door then the aluminium carrier will have to be checked out by 25mm at each end to ensure that the carrier does not bind against the door stops and stop the door from closing and latching.

#### STEP 6

With a knife cut the decorative cover strip and flexible gasket to match the aluminium gasket carrier.

#### STEP 7

Refit the flexible gasket to the aluminium carrier.

#### STEP 8

Apply the seal to the door bottom and mark out the slotted hole locations with a pencil ensuring the flexible silicone rubber gasket blades lightly touch the floor.

#### STEP 9

Drill pilot holes with a 2.5mm drill bit.

#### STEP 10

Fix the FDBU20si seal to the bottom of the door leaf through the slotted holes with the screws provided. (For uneven gaps, slight adjustment can be made via the slotted holes prior to tightening the fixing screws.)

#### STEP 11

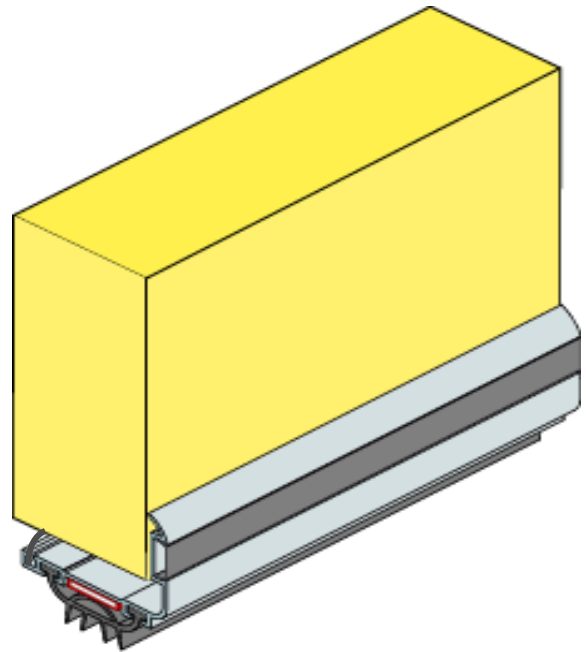
Replace the decorative cover strip.

**IMPORTANT – Ensure that the installation of this product does not impede the opening or closing of the door. It is recommended to check the adjustment of the door seal periodically to ensure the door assembly to which it is fitted, closes and latches properly.**

### NOTE

*Recommendations as to methods for use of materials and construction details are based on the experience and knowledge of Lorient and are given in good faith as a general guide and service to designers, contractors and manufacturers.*

*Lorient reserves the right to make alterations or delete any installation detail without prior notice.*



### OTHER LORIENT ARCHITECTURAL SEALS INCLUDE: INTEGRITY™ RANGE

- |                               |                    |
|-------------------------------|--------------------|
| ■ Door Perimeter Seals        | ■ Threshold Plates |
| ■ Door Bottom Seals           | ■ Brush Seals      |
| ■ Automatic Door Bottom Seals | ■ Magnetic Seals   |

Contact your nearest Lorient office for further details.

**AUSTRALIA**  
Lorient Australia

Tel 1300 858 010

**ASIA PACIFIC**  
Lorient Pacific Limited Hong Kong

Tel: (+852) 2505 0328

**EUROPE**  
Lorient Polyproducts Limited UK

Tel: (+44) 1626 834252

**MIDDLE EAST**  
Lorient Middle East Building  
Materials Trading LLC Dubai

Tel (+971) 4267 4339  
Fax (+971) 4267 5339