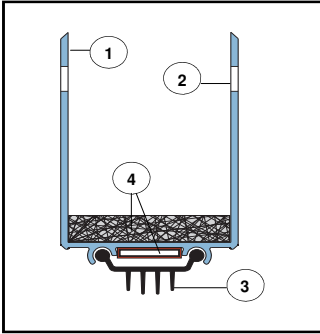


# FDBU60

Fitting Instruction  
Fire Door Bottom Upgrade



Length:

This seal contains Intumescent material and is used for upgrading AS1905/1 fire door assemblies with non compliant / excessive door bottom clearances. It is approved for use on gaps up to 60mm

## DESCRIPTION OF CONTENTS

- Aluminium carrier (1)
- Pre-slotted holes (2)
- Flexible gasket (3)
- Lorient Intumescent fire seals **DO NOT REMOVE.** (4)
- Bag of screws
- Fitting instructions

## TOOLS REQUIRED FOR INSTALLATION

- Tape measure
- Saw (power or hand)
- Screw driver
- 2.5mm drill bit
- Drill (power or hand)
- Knife
- Pencil or marker

## INSTALLATION DETAIL

It is not necessary to remove the door from the hinges and no painting is required after installation.

### STEP 1

Remove the FDBU60 seal from the packaging.

### STEP 2

With the door closed, measure the width of the door.

### STEP 3

Remove the flexible gaskets from the aluminium carrier.

### STEP 4

Cut the aluminium carrier and integral intumescent strips to length required. (door width)

### STEP 5

Cut the flexible gaskets to suit the aluminium carrier.

### STEP 6

Refit the flexible gaskets to the aluminium carrier.

### STEP 7

Apply the seal to the door bottom and mark out the slotted hole locations with a pencil ensuring the flexible gasket blades lightly touch the floor.

### STEP 8

Drill pilot holes with a 2.5mm drill bit.

### STEP 9

Fix the FDBU60 seal to the bottom of the door leaf through the slotted holes with the screws provided. *(For uneven gaps, slight adjustment can be made via the slotted holes prior to tightening the fixing screws.*

### STEP 10

Ensure that the door freely closes and latches

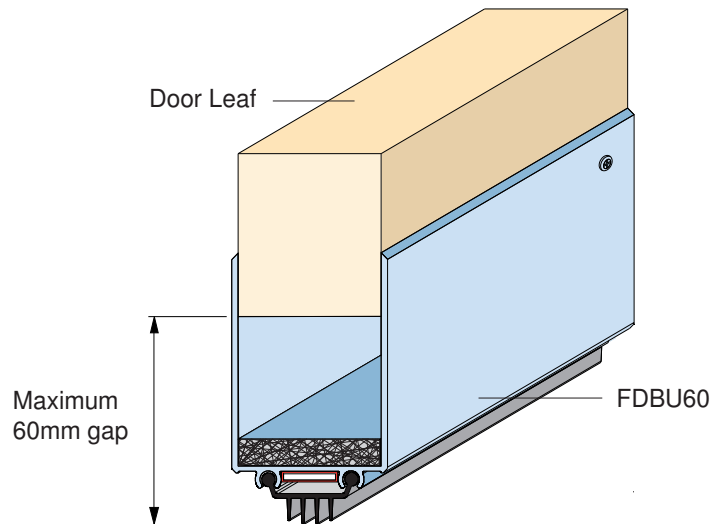
**IMPORTANT** – Ensure that the installation of this product does not impede the opening or closing of the door. It is recommended to check the adjustment of the door seal periodically to ensure the door assembly to which it is fitted, closes and latches properly.



## NOTE

Recommendations as to methods for use of materials and construction details are based on the experience and knowledge of Lorient and are given in good faith as a general guide and service to designers, contractors and manufacturers.

Lorient reserves the right to make alterations or delete any installation detail without prior notice.



## OTHER LORIENT ARCHITECTURAL SEALS INCLUDE: INTEGRITY™ RANGE

- Door Perimeter Seals
- Door Bottom Seals
- Automatic Door Bottom Seals
- Threshold Plates
- Brush Seals
- Magnetic Seals

Contact your nearest Lorient office for further details.



**AUSTRALIA**  
Lorient Australia  
Tel 1300 858 010

**ASIA PACIFIC**  
Lorient Pacific Limited Hong Kong  
Tel: (+852) 2505 0328

**EUROPE**  
Lorient Polyproducts Ltd UK  
Tel: (+44) 1626 834252

**MIDDLE EAST**  
Lorient Middle East Building  
Materials Trading LLC Dubai  
Tel (+971) 4267 4339  
Fax (+971) 4267 5339