



**PRODUCT CODE**  
**FDBU20, FDBU60**

**DESCRIPTION**

Retrofit intumescent fire door bottom upgrade seals.

**APPLICATION**

Used to upgrade existing fire doors where door bottom gaps exceed the allowable 10mm as per AS1905.1.

**KEY FEATURES**

- Can provide up to 2 hours fire resistance when fitted to the bottom of proprietary fire doors.
- Non-compliant fire doors can be salvaged.
- Avoids expensive door build-ups or door replacements.
- Cost-effective solution.
- Easy retro-fit installation.
- No need to remove the door during installation.

**USE WITH**

Although not required for upgrade work, the Lorient Integrity 4000 Series Threshold Plates may be incorporated as part of the overall system for both aesthetic and disability compliance issues.

**MATERIALS**

These products consist of an anodised aluminium profile, flame retardant smoke, draught and light excluding gasket and integral high performance intumescent fire seals.

**GAP SIZE**

- FDBU20:** To seal gap sizes up to 20mm maximum, on nom. 35mm and 45mm proprietary doors.
- FDBU60-35:** To seal gap sizes up to 60mm maximum, on nom. 35mm proprietary doors.
- FDBU60-45:** To seal gap sizes up to 60mm maximum, on nom. 45mm proprietary doors.

**SIZES**

**Lengths:** 820mm, 920mm, 1220mm

**FINISH**

**Colours:** Clear Anodised (Silver) with grey gaskets

**FIXING**

The FDBU20 and FDBU60 are supplied with pre-drilled slotted holes and screws for easy application onto the bottom of door leaves.

**APPROVAL/S**

- Fully tested to AS1530.4 for up to 2 hours on proprietary fire door assemblies.
- Complies with AS1905.1

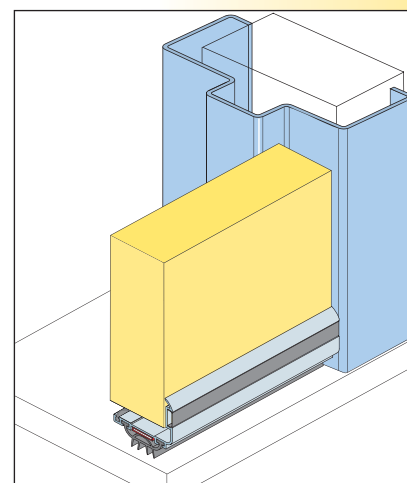
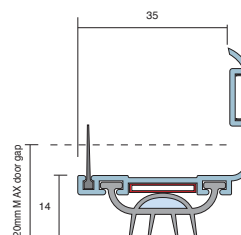
*NB: Check with your door manufacturer for approvals.*

**SPECIFICATIONS**

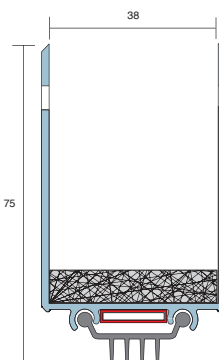
Lorient FDBUXX intumescent door bottom seal fitted to the bottom of the door leaf.

Insert XX = 20 (20mm) or 60 (60mm) maximum gap size.

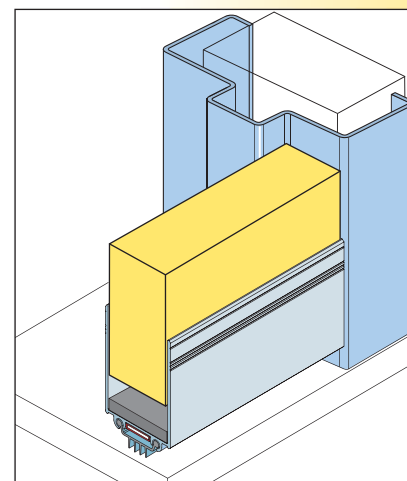
**FDBU20**



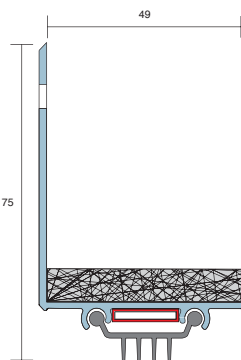
**FDBU60-35**



**FDBU 60-35**



**FDBU60-45**



**FDBU 60-45**

