



## PRODUCT CODE

### FDMS-TP (T-Bar Meeting Stile Seals)

#### DESCRIPTION

Aluminium meeting stile assembly for proprietary single action fire door assemblies.

#### APPLICATION

An aluminium meeting stile sealing system, designed specifically for high performance smoke and sound containment for pairs of nom. 47mm fire doors.

#### KEY FEATURES

- New modern and aesthetic appearance.
- Incorporates intumescent fire and smoke sealing technology.
- Improves acoustic performance.
- Can be used to upgrade existing fire doors.
- Easy installation.
- Sold as complete assembly, including a T-Bar and plain aluminium section with intumescent strips and flexible silicone smoke seal.

#### MATERIALS

Anodised aluminium astragals with integral high performance intumescent fire seals plus flame retardant silicone smoke and acoustic seal fitted to 'T' section.

#### GAP SIZE

Minimum 2.5mm — Maximum 5mm

#### SIZES

Standard Lengths 2135mm, 2440mm, 3050mm, 3500mm

#### FINISH

- Clear anodised finish with grey silicone seal insert.

#### FIXING

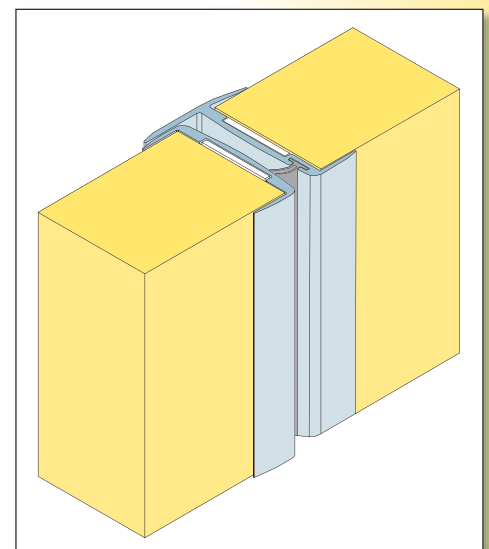
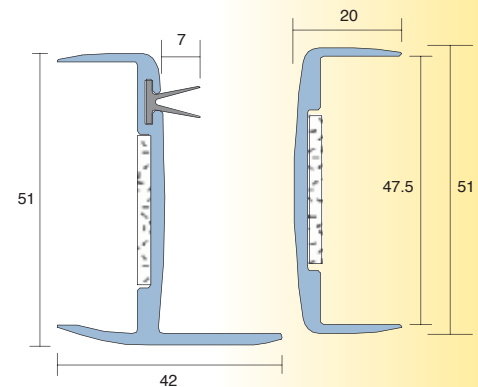
The Lorient FDMS-T astragals come complete with the intumescent and silicone seal fitted. Simply cut to length and screw-fix to the respective door leaves.

#### APPROVAL/S

- AS1530/4 fire tests with proprietary fire door assemblies.
- Can be considered deemed to satisfy to BCA specification C3.4 for use with smoke doors (when fitted to compliant door leaf).
- Acoustic ratings to AS1191 and AS1276 in conjunction with other Lorient Integrity seals.

#### SPECIFICATIONS

Fit Lorient FDMS-TP meeting stiles to pairs of doors for proven fire, smoke and acoustic containment.



**Above:** Lorient FDMS-TP meeting stile astragal seals shown installed onto a pair of fire doors.