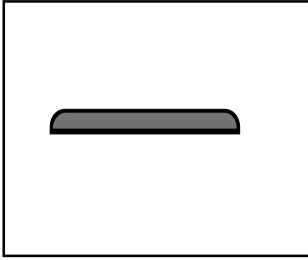


HP1202

Fitting Instruction

Flexible Self Adhesive Fire Seal



Length:

DESCRIPTION OF CONTENTS

- Flexible fire seal with self-adhesive backing
- Fitting instructions

TOOLS REQUIRED FOR INSTALLATION

- Tape Measure
- Knife / scissors
- Pencil or marker

INSTALLATION DETAIL

It is not necessary to remove the door from its hinges.

The HP1202 Seal requires a minimum of 2mm clearance between the door and frame.

STEP 1

Remove the seal from the packaging and measure the existing head (top) and jambs (sides) of the door frame to determine the seal length required.

STEP 2

Clean the frame to ensure it is free from oil, grease, loose paint, dust or moisture. **(This step is most important!)**

STEP 3

Using scissors/knife, trim the seal to length

STEP 4

Starting with the long vertical jambs, peel back the self-adhesive backing tape by approximately 150mm.

STEP 5

Ensuring the seal is correctly positioned press firmly to door frame

STEP 6

Progressively pull the backing tape off the seal while running a finger or appropriate blunt tool down the centre of the profile whilst ensuring that the adhesive sticks evenly

STEP 7

Once the seals have been fitted to the jambs. Apply the seal to the head of the frame as per STEP 6

STEP 8

If required, cut intumescent part of seal around striker plate to ensure proper closing and latching of the door assembly.

IMPORTANT

Do not remove and relocate seal.

Do not stretch the seal.

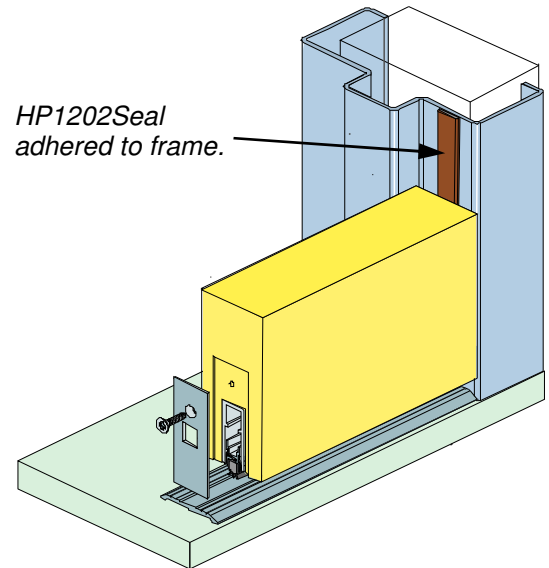
Ensure that the installation of this product does not impede the opening or closing of the door. It is recommended to check the adjustment of the door seal periodically to ensure the door assembly to which it is fitted, closes and latches properly.

The seal may be cleaned periodically without removing the door leaf from its frame.

NOTE

Recommendations as to methods for use of materials and construction details are based on the experience and knowledge of Lorient and are given in good faith as a general guide and service to designers, contractors and manufacturers.

Lorient reserves the right to make alterations or delete any installation detail without prior notice.



OTHER LORIENT ARCHITECTURAL SEALS INCLUDE: INTEGRITY™ RANGE

- Door Perimeter Seals
- Door Bottom Seals
- Automatic Door Bottom Seals
- Threshold Plates
- Brush Seals
- Magnetic Seals

Contact your nearest Lorient office for further details.

AUSTRALIA
Lorient Australia

Tel 1300 858 010

ASIA PACIFIC
Lorient Pacific Limited Hong Kong

Tel: (+852) 2505 0328

EUROPE
Lorient Polyproducts Limited UK

Tel: (+44) 1626 834252

MIDDLE EAST
Lorient Middle East Building
Materials Trading LLC Dubai

Tel (+971) 42674339
Fax (+971) 4267 5339