



PRODUCT CODE

HP1612BW

DESCRIPTION

Graphite intumescent combined fire, smoke and acoustic seal

APPLICATION

This hybrid, intumescent type 'Batwing®' seal is fitted into the rebate of a door frame to provide resistance against fire, smoke, sound, draughts, dust and light.

KEY FEATURES

- Tested on proprietary fire doors for up to 2 hours fire resistance.
- Fits quickly and easily without removing the door.
- Provides an excellent smoke seal across all temperatures.
- Offers an outstanding acoustic performance.
- Simple self-adhesive application onto the door frame.
- Strategically located in the impact-free zone of the opening.

USE WITH

Used in conjunction with a Lorient door bottom solution such as the IS8010si automatic door bottom or LP4204TF seal to provide a total door sealing system.

MATERIALS

Lorient high performance graphite-based intumescent core with a PVC skin combined with an elastomeric sealing blade. Supplied with aggressive self-adhesive backing tape on both sides of the carrier.

GAP SIZE

Minimum 2mm — Maximum 3mm

SIZES

Door Sets

Single	1 x 1000mm, 2 x 2100mm
Long Single	1 x 1000mm, 2 x 2750mm
Double	3 x 2100mm
Long Double	1 x 2100mm, 2 x 2750mm

Standard lengths	1000mm, 2100mm, 2400mm, 2700mm, 3000mm
-------------------------	---

FINISH

Standard colours Black, White

FIXING

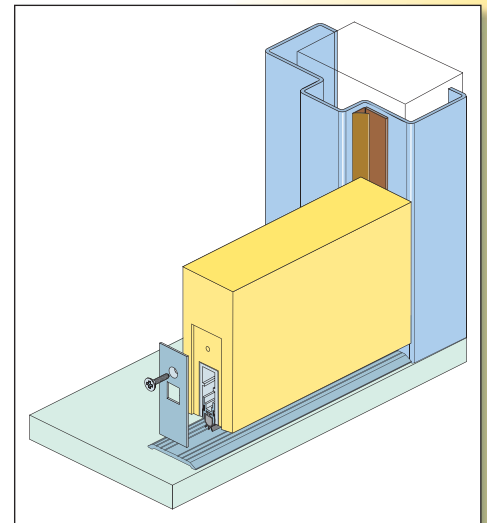
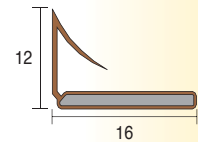
The product is fitted into the rebate of the door frame and applied using the integral self-adhesive backing tape.

APPROVAL/S

- AS1530/4 fire tests with proprietary fire doors providing up to 2 hours fire resistance.

SPECIFICATIONS

Lorient HP1612BW fitted into the rebate of the door frame.



Above: A typical life safety installation, incorporating an HP1612BW perimeter seal combined with an IS8010si automatic door bottom seal and IS4130 threshold plate.