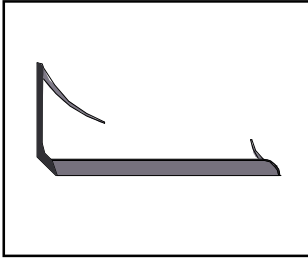


HP2512BW

Fitting Instruction

Flexible Self Adhesive
Intumescent Fire and
Smoke Seal



Length:

INSTALLATION DETAIL

It is not necessary to remove the door from its hinges.

The HP2512BW Seal requires a minimum of 2mm (ideally 3mm) clearance between the door stop/door face and door edge/door frame.

STEP 1

Remove the seal from the packaging and measure the existing head (top) and jambs (sides) of the door frame to determine the seal length required.

STEP 2

Clean the frame to ensure it is free from oil, grease, loose paint, dust or moisture. **(This step is most important!)**

STEP 3

Using scissors/knife, trim the seal to the opening height and width of the door reveal.

STEP 4

Starting with the long vertical jambs, peel back the self-adhesive backing tape from both legs by approximately 150mm.

STEP 5

Ensuring the 12mm return of the seal is positioned on the door stop, push the seal into the top corner of the frame-stop as tightly as possible.

STEP 6

Progressively pull the backing tape off the seal while running a finger or appropriate blunt tool down the centre of the profile whilst ensuring that the adhesive sticks evenly to each surface.

STEP 7

Once the seals have been fitted to the jambs. Apply the seal to the head of the frame as per STEP 6.

STEP 8

At each top corner, notch out a piece of the head seal where both meet, to ensure a continuous smoke seal around the whole perimeter.

STEP 9

If required, cut intumescent part of seal around striker plate to ensure proper closing and latching of the door assembly.

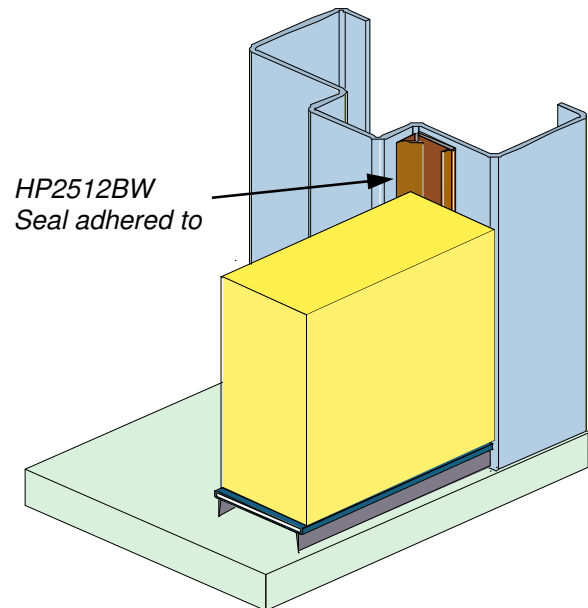
IMPORTANT

Do not remove and relocate seal.

Do not stretch the seal.

Ensure that the installation of this product does not impede the opening or closing of the door. It is recommended to check the adjustment of the door seal periodically to ensure the door assembly to which it is fitted, closes and latches properly.

The seal may be cleaned periodically without removing the door leaf from its frame.



DESCRIPTION OF CONTENTS

- Flexible fire & smoke seal with self-adhesive backing
- Fitting instructions

TOOLS REQUIRED FOR INSTALLATION

- Tape Measure
- Knife / scissors
- Pencil or marker

OTHER LORIENT ARCHITECTURAL SEALS INCLUDE: INTEGRITY™ RANGE

- | | |
|-------------------------------|--------------------|
| ■ Door Perimeter Seals | ■ Threshold Plates |
| ■ Door Bottom Seals | ■ Brush Seals |
| ■ Automatic Door Bottom Seals | ■ Magnetic Seals |

Contact your nearest Lorient office for further details.

AUSTRALIA
Lorient Australia

Tel 1300 858 010

ASIA PACIFIC
Lorient Pacific Limited Hong Kong

Tel: (+852) 2505 0328

EUROPE
Lorient Polyproducts Limited UK

Tel: (+44) 1626 834252

MIDDLE EAST
Lorient Middle East Building
Materials Trading LLC Dubai

Tel (+971) 42674339
Fax (+971) 4267 5339