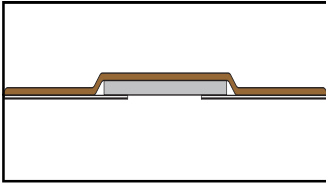


HP4002

Fitting Instruction

Perimeter Upgrade Seal



Length:

This seal contains Intumescent material and is used for upgrading AS1905/1 fire door assemblies with non compliant / excessive door stile and head clearances. It is approved for use on gaps up to 6mm

DESCRIPTION OF CONTENTS

- HP4002 seal with self-adhesive backing
- Fitting instruction

TOOLS REQUIRED FOR INSTALLATION

- Tape measure
- Pencil or marker
- Knife

INSTALLATION DETAIL

It is not necessary to remove the door from its hinges.

Note

For effective operation, the HP4002 Intumescent Seal requires a minimum of 2mm-3mm clearance between the door frame reveal and door edge.

STEP 1

Remove the seal from the packaging and measure the reveal of the existing head (top) and jambs (sides) of the door frame to determine the seal length required.

STEP 2

Clean the frame reveal to ensure it is free from oil, grease or dust. **(This step is most important)**

STEP 3

Using scissors, trim the HP4002 to the opening height and width of the door reveal.

STEP 4

Starting with the long vertical jambs, peel back the self-adhesive backing tape from both legs by approximately 150mm.

STEP 5

Push the seal into the top corner of the frame reveal as tightly as possible.

STEP 6

Progressively pull the backing tape off the seal while running a finger or appropriate blunt tool down each side of the profile whilst ensuring that the adhesive sticks evenly to each surface.

STEP 7

Apply the seal to the head reveal of the frame as per STEP 6.

IMPORTANT

Do not remove and relocate seal.

Do not stretch the seal.

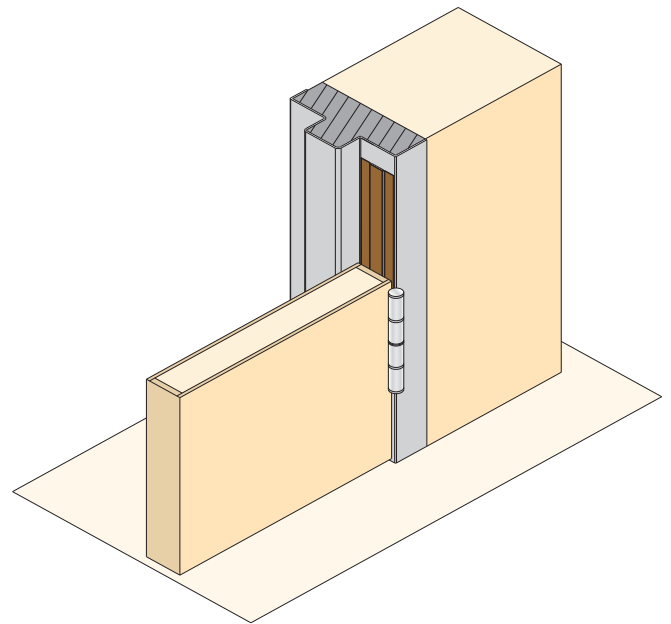
Ensure that the installation of this product does not impede the opening or closing of the door.

Periodic inspection and cleaning is recommended to fully maintain this sealing system. Normally an annual inspection is sufficient. For fire and smoke sealing applications, refer to local regulatory authority standards.

NOTE

Recommendations as to methods for use of materials and construction details are based on the experience and knowledge of Lorient and are given in good faith as a general guide and service to designers, contractors and manufacturers.

Lorient reserves the right to make alterations or delete any installation detail without prior notice.



OTHER LORIENT ARCHITECTURAL SEALS INCLUDE: INTEGRITY™ RANGE

- | | |
|-------------------------------|--------------------|
| ■ Door Perimeter Seals | ■ Threshold Plates |
| ■ Door Bottom Seals | ■ Brush Seals |
| ■ Automatic Door Bottom Seals | ■ Magnetic Seals |

Contact your nearest Lorient office for further details.

AUSTRALIA
Lorient Australia
Tel 1300 858 010

ASIA PACIFIC
Lorient Pacific Limited Hong Kong
Tel: (+852) 2505 0328

EUROPE
Lorient Polyproducts Ltd UK
Tel: (+44) 1626 834252

MIDDLE EAST
Lorient Middle East Building Materials Trading LLC Dubai

Tel (+971) 4267 4339
Fax (+971) 4267 5339