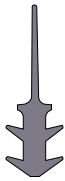




IS1002si Silicone Rubber Fin Seal



INSTALLATION DETAIL FOR ALUMINIUM DOOR STILES WITH INTEGRAL SEAL REBATES

STEP 1
Check that the door has adequate operating clearance (3mm min) between door stiles and frame (if necessary adjust.)

STEP 2
Measure door stiles and cut the seal to the required length plus an additional 50mm

STEP 3
Starting from one end of the stile , offer the barbed end of the IS1005si to the groove and push fit into place working progressively down the door edge ensuring that the seal is not stretched whilst doing so.

STEP 4
Trim of excess (this should be approx 50mm if the gasket has not been stretched)

STEP 5
Check the door for correct operation and ensure the seal is making light contact with the opposing surface.

IMPORTANT
Ensure that the installation of this product does not impede the opening or closing of the door. It is recommended to check the door seal periodically to ensure the door assembly to which it is fitted, closes and latches properly.

The seal may be cleaned periodically with a damp cloth and mild detergent.

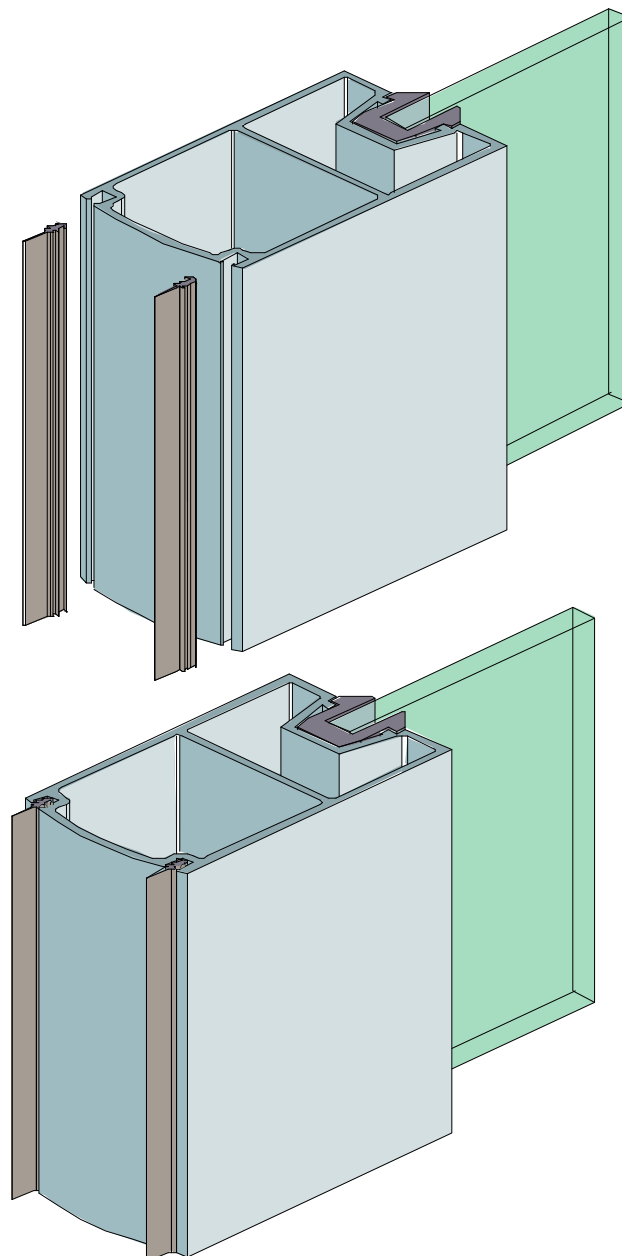
Length	
--------	--

DESCRIPTION OF CONTENTS

- Kerf-Fit Fin Seal
- Fitting instructions

TOOLS REQUIRED FOR INSTALLATION

- Tape Measure
- Knife / scissors
- Pencil or marker



Other Integrity® Architectural Seals Include:

- Door Perimeter Seals
- Door Bottom Seals
- Automatic Door Bottom Seals
- Threshold Plates
- Brush Seals
- Magnetic Seals

Contact your nearest Lorient office for further details.

NOTE

Recommendations as to methods for use of materials and construction details are based on the experience and knowledge of Lorient and are given in good faith as a general guide and service to designers, contractors and manufacturers.

Lorient reserves the right to make alterations or delete any installation detail without prior notice.

AUSTRALIA Lorient Australia Tel 1300 858 010
ASIA PACIFIC Lorient Pacific Limited Hong Kong Tel: (+852) 2505 0328
EUROPE Lorient Polyproducts Limited UK Tel: (+44-1626) 834252
MIDDLE EAST Lorient Middle East Building Materials Trading LLC Dubai Tel (+971) 50 255 3265