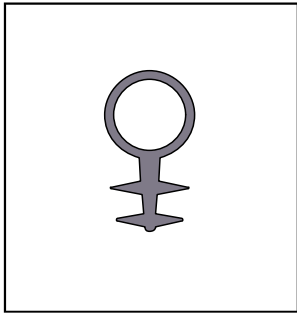


IS1006si

Fitting Instruction

Kerf-fit silicone bulb



Length:

INSTALLATION DETAIL FOR FITTING TO TIMBER DOOR STOP

Note: For fitting the IS1006si seal requires a 3mm wide x 8mm (min) deep groove.

Min/max recommended gap size at the edge of the door 3mm / 5mm

STEP 1

Measure door frame opening and cut timber door stops to suit.

STEP 2

Using the router machine a 3mm wide x 8mm (min) deep groove along the door stop.

STEP 3

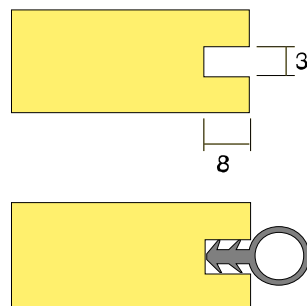
Clean out the routed grooves ensuring that it is free of sawdust.

STEP 4

Measure and cut the IS1006si to the desired lengths allowing an additional 50mm.

STEP 5

Starting from one end and ensuring that the gasket is not stretched, offer the barbed end of the IS1006si to the groove and push fit into place working progressively down the stop. Trim off excess seal.



STEP 6

Bring the door to the anticipated closed position and mount the first door stop so that there is a small amount of compression on the seal bulb. (Note: Do not over compress seal as this will increase door latching forces)

STEP 7

Repeat with the other sides and check final operation of the door.

IMPORTANT

Ensure that the installation of this product does not impede the opening or closing of the door. It is recommended to check the door seal periodically to ensure the door assembly to which it is fitted, closes and latches properly.

The seal may be cleaned periodically with a damp cloth and mild detergent.

NOTE

Recommendations as to methods for use of materials and construction details are based on the experience and knowledge of Lorient and are given in good faith as a general guide and service to designers, contractors and manufacturers.

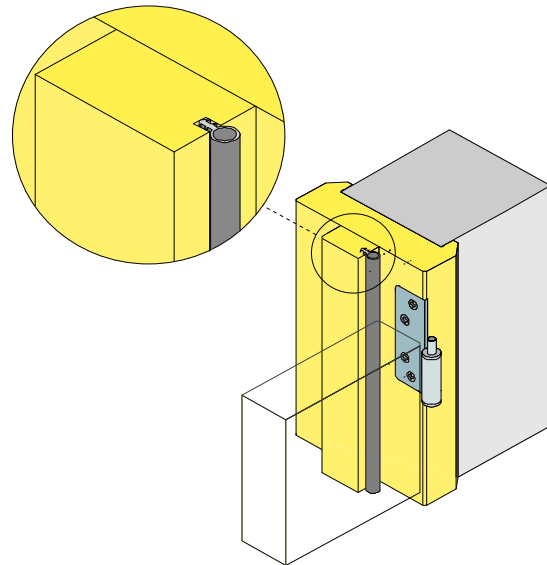
Lorient reserves the right to make alterations or delete any installation detail without prior notice.

DESCRIPTION OF CONTENTS

- Kerf-Fit IS1006si Seal
- Fitting instructions

TOOLS REQUIRED FOR INSTALLATION

- Tape Measure
- Knife / Scissors
- Pencil or Marker
- Router & 3mm cutter
- Saw
- Timber door stops
- Panel pins or screws



OTHER INTEGRITY™ ARCHITECTURAL SEALS INCLUDE:

- Door Perimeter Seals
- Door Bottom Seals
- Automatic Door Bottom Seals
- Threshold Plates
- Brush Seals
- Magnetic Seals

Contact your nearest Lorient office for further details.

AUSTRALIA
Lorient Australia

Tel 1300 858 010

ASIA PACIFIC
Lorient Pacific Limited Hong Kong

Tel: (+852) 2505 0328

EUROPE
Lorient Polyproducts Limited UK

Tel: (+44)-1626 834252

MIDDLE EAST
Lorient Middle East Building
Materials Trading LLC Dubai

Tel (+971) 4267 4339
Fax (+971) 4267 5339