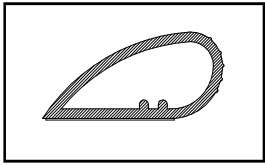


IS1046si

Fitting Instruction

Silicone Rubber
perimeter Seal



Length:

INSTALLATION DETAIL:

It is not necessary to remove the door from its hinges.

STEP 1

Remove the seal from the packaging and measure the top and sides of the door frame (or perimeter of the window) to determine the seal length required.

STEP 2

Thoroughly clean frame, removing dust, oil, grease or dirt.

STEP 3

Trim the seal to the lengths required.

STEP 4

Progressively remove the protective backing off the self adhesive 30cm to 40cm at a time. Position seal and run a finger down the profile, ensuring that the adhesive sticks evenly to the frame in the exact location where the seal is required.

STEP 5

Close the door and check for a uniform seal around the door.

Note

For effective operation, the IS1046si Bubble Seal requires a min of 2mm-3mm / max 5mm clearance between the door stop/door face and door edge/door frame.

The IS1046si seal may be fitted to the door jamb or door stop as illustrated below.

IMPORTANT

Do not remove and relocate seal.

Do not stretch the seal.

Clean any talc from the seal before removing the backing to self adhesive tape to prevent migration of the talc to the adhesive surface.

Ensure that the installation of this product does not impede the opening or closing of the door.

Periodic inspection and cleaning is recommended to fully maintain this sealing system. Normally an annual inspection is sufficient. For fire and smoke sealing applications, refer to local regulatory authority standards.

NOTE

Recommendations as to methods for use of materials and construction details are based on the experience and knowledge of Lorient and are given in good faith as a general guide and service to designers, contractors and manufacturers.

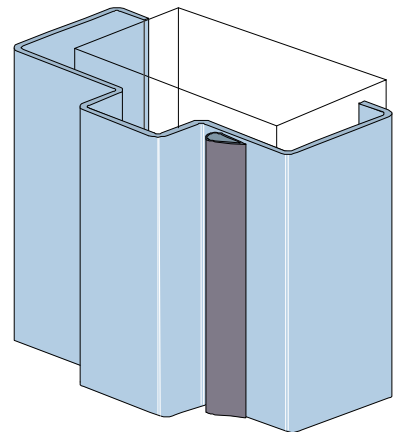
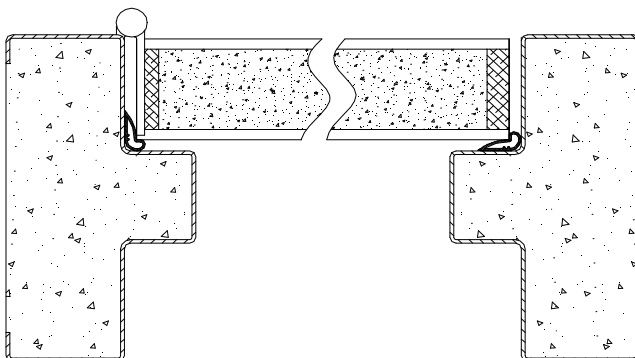
Lorient reserves the right to make alterations or delete any installation detail without prior notice.

DESCRIPTION OF CONTENTS

- Silicone rubber seal with self-adhesive backing
- Fitting Instruction

TOOLS REQUIRED FOR INSTALLATION

- Tape Measure
- Pencil or Marker
- Scissors or Knife



integrity™
Architectural Seals

OTHER INTEGRITY™ ARCHITECTURAL SEALS INCLUDE:

- Door Perimeter Seals
- Door Bottom Seals
- Automatic Door Bottom Seals
- Threshold Plates
- Brush Seals
- Magnetic Seals

Contact your nearest Lorient office for further details.

AUSTRALIA
Lorient Australia

Tel 1300 858 010

ASIA PACIFIC
Lorient Pacific Limited Hong Kong

Tel: (+852) 2505 0328

EUROPE
Lorient Polyproducts Limited UK

Tel: (+44)-1626 834252

MIDDLE EAST
Lorient Middle East Building
Materials Trading LLC Dubai

Tel (+971) 4267 4339
Fax (+971) 4267 5339