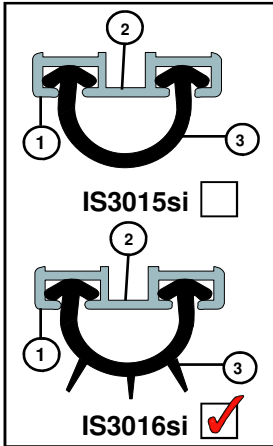


IS3015si / IS3016si Fitting Instruction

Door Bottom or Meeting Stile



Length:

DESCRIPTION OF CONTENTS

- Aluminium carrier (1)
- Pre-drilled holes (2)
- Silicone "Push-fit" gasket (3)
- Bag of screws
- Fitting instructions

TOOLS REQUIRED FOR INSTALLATION

- Tape measure
- Saw (power or hand)
- Screw driver
- Drill (power or hand)
- Knife
- Pencil or Marker
- Router

INSTALLATION DETAIL

STEP 1

If installed, remove door from its hinges, lay door on its edge and firmly restrain.

STEP 2

Measure and mark out the seal position along the centre line of the door stile/bottom. (Note that the finished groove should be 20mm wide).

STEP 3

Fit a suitable cutter into the router, set guide and machine a 5mm deep groove along the edge/bottom of the door.

STEP 4

Clean dust and chips from the groove and check depth by applying seal.

STEP 5

Measure the door height/width and cut the seal to suit, using a sharp knife for the silicone gasket and a saw for the aluminum section.

STEP 6

Remove the silicone gasket and screw fix the aluminium section into the groove using the screws supplied (fixing holes are pre-drilled).

STEP 7

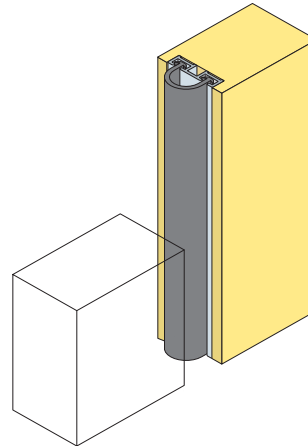
Replace silicone gasket to form "U" section and re-hang the door. Note: the silicone gasket simply presses back into the profile.

STEP 8

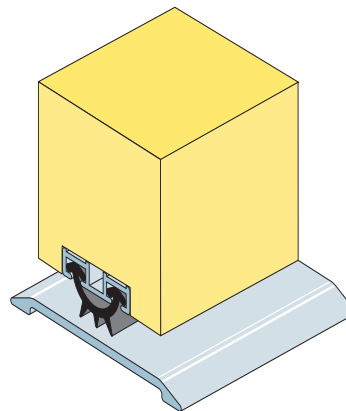
Ends of the aluminium channel may be centre punched to prevent gasket movement.

We recommend the IS3015si or IS3016si be used together with a Lorient Integrity™ 4000 series threshold plate.

MEETING STILE INSTALLATION DETAIL



DOOR BOTTOM INSTALLATION DETAIL



NOTE

Recommendations as to methods for use of materials and construction details are based on the experience and knowledge of Lorient and are given in good faith as a general guide and service to designers, contractors and manufacturers.

Lorient reserves the right to make alterations or delete any installation detail without prior notice.

IMPORTANT – Ensure that the installation of this product does not impede the opening or closing of the door. It is recommended to check the adjustment of the door seal periodically to ensure the door assembly to which it is fitted, closes and latches properly.

OTHER INTEGRITY™ ARCHITECTURAL SEALS INCLUDE:

- Door Perimeter Seals
- Door Bottom Seals
- Automatic Door Bottom Seals
- Threshold Plates
- Brush Seals
- Magnetic Seals

Contact your nearest Lorient office for further details.

AUSTRALIA
Lorient Australia
Tel 1300 858 010

ASIA PACIFIC
Lorient Pacific Limited Hong Kong
Tel: (+852) 2505 0328

EUROPE
Lorient Polyproducts Ltd UK
Tel: (+44) 1626 834252

MIDDLE EAST
Lorient Middle East Building
Materials Trading LLC Dubai

Tel (+971) 4267 4339
Fax (+971) 4267 5339