

PRODUCT CODE

IS3015si & IS3016si

DESCRIPTION

Medium duty meeting stile seal for double doors or sweep action door bottom seal. Available with a plain or finned gasket.

APPLICATION

The IS3015si and IS3016si seals are cleverly concealed in a rebated groove in the meeting stile or bottom of the door leaf (respectively) for single and double swing timber doors.

KEY FEATURES

- Durable “push-fit” seal allows for quick and easy installation.
- Protects against dust, light, weather and vermin.
- Rebated installation allows for depth adjustment as required.
- Fixings concealed behind flexible seal.

USE WITH

We recommend the IS3015si or IS3016si door bottom seal be fitted with the Lorient Integrity™ IS4010 threshold plate or any other 4000 series threshold plate.

MATERIALS

An extruded and anodised aluminium profile combined with a silicone rubber flexible gasket.

GAP SIZE

Minimum 3mm - Maximum 8mm

SIZES

Standard Lengths 1000mm, 2250mm
Also available in 250mm increments: 1000mm to 5000mm

FINISH

- Silver anodised aluminium with grey gasket.
- Bronze anodised aluminium with black gasket.

Other finishes available to special order.

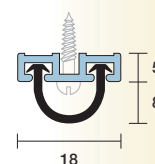
FIXING

Fixing screws are supplied and fixing holes are pre-drilled. Push-fit gasket conceals fixings and allows for quick and easy installation. This seal is designed to be fitted into a mortised groove.

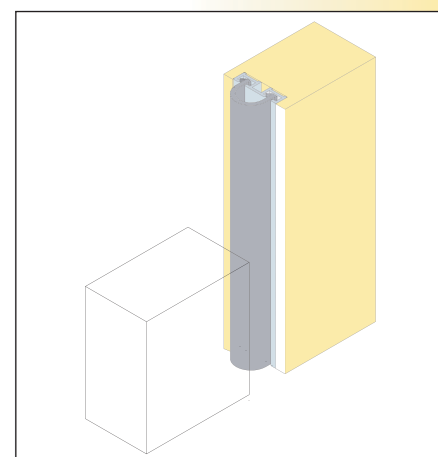
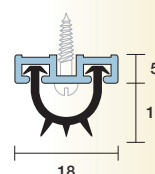
SPECIFICATIONS

- Lorient Integrity™ IS3015si or IS3016si fitted to the meeting stile of the door leaf.
- Lorient Integrity™ IS3015si or IS3016si fitted to the bottom of the door leaf.

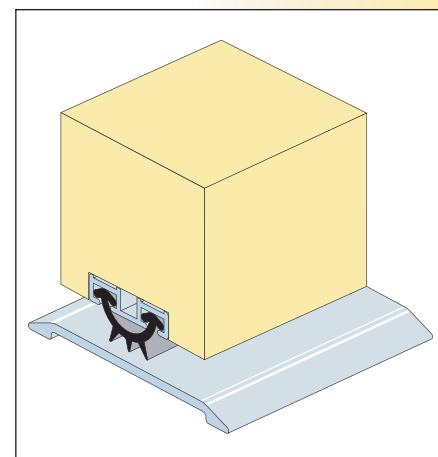
IS3015si



IS3016si



Above: Meeting stile detail for pairs of doors.



Above: Door bottom detail.

Lorient reserves the right to alter published data or make products obsolete without prior notice.

Please contact our office if you require any further information

Head Office Ph: (07) 3635 5000 Fax: (07) 3861 9266

Toll Free 1300 858 010

E-mail sales@lorient.com.au www.lorient.com.au

Datasheet D-012-06/09. All measurements in mm. Copyright © 2009 Lorient Australia.