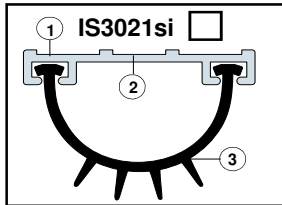
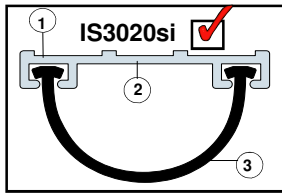


IS3020si / IS3021si Fitting Instruction

Door Bottom or Meeting Stile



Length:

DESCRIPTION OF CONTENTS

- Aluminium carrier (1)
- Pre-slotted holes (2)
- Silicone "Push-fit" gasket (3)
- Bag of screws
- Fitting instructions

TOOLS REQUIRED FOR INSTALLATION

- Tape measure
- Saw (power or hand)
- Screw driver
- Drill (power or hand)
- Knife
- Pencil or Marker

INSTALLATION DETAIL

STEP 1 (Door bottom only)

If installed, remove door from its hinges, lay the door on its edge and firmly restrain.

STEP 2

Measure door height/width and cut the seal to suit, using a sharp knife for the silicone gasket and a saw (power or hand) for the aluminum section.

STEP 3

Seal is supplied with one side of the silicone gasket detached from the carrier. Screw fix the aluminum section onto the door stile/door using the screws supplied (fixing holes are pre-slotted.)

STEP 4

Push fit the silicone gasket into the carrier to form a "U" shape section.

NB: The silicone gasket simply presses back into the profile.

STEP 5

Ends of the aluminum channel can be centre punched to prevent gasket moving in the carrier.

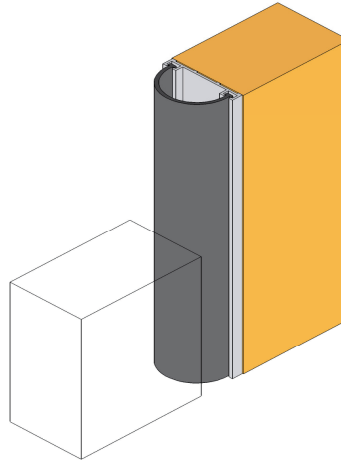
STEP 6 (Door bottom only)

Re-hang the door.

We recommend the IS3020si or IS3021si be used together with a Lorient Integrity™ 4000 series threshold plate.

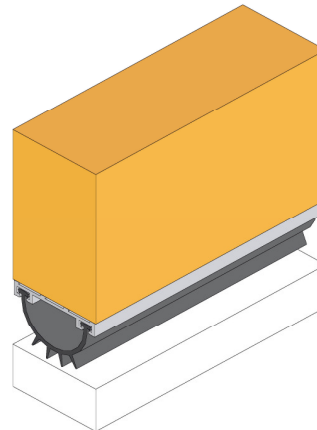
MEETING STILE

INSTALLATION DETAIL



DOOR BOTTOM

INSTALLATION DETAIL



NOTE

Recommendations as to methods for use of materials and construction details are based on the experience and knowledge of Lorient and are given in good faith as a general guide and service to designers, contractors and manufacturers.

Lorient reserves the right to make alterations or delete any installation detail without prior notice.

IMPORTANT – Ensure that the installation of this product does not impede the opening or closing of the door. It is recommended to check the adjustment of the door seal periodically to ensure the door assembly to which it is fitted, closes and latches properly.

OTHER INTEGRITY™ ARCHITECTURAL SEALS INCLUDE:

- | | |
|-------------------------------|--------------------|
| ■ Door Perimeter Seals | ■ Threshold Plates |
| ■ Door Bottom Seals | ■ Brush Seals |
| ■ Automatic Door Bottom Seals | ■ Magnetic Seals |

Contact your nearest Lorient office for further details.