

PRODUCT CODE
IS3020si & IS3021si
DESCRIPTION

Heavy duty meeting stile seal for double doors or sweep action door bottom seal. Available with a plain or finned gasket.

APPLICATION

The IS3020si and IS3021si seals have multiple uses. They can be fitted to meeting stiles or door bottoms for single and double swing doors and roller type doors.

KEY FEATURES

- Durable “push-fit” seal allows for quick and easy installation.
- Protects against dust, light, weather and vermin.
- Excellent compression seal.
- Fixings concealed behind flexible seal.

USE WITH

We recommend the IS3020si or IS3021si door bottom seal be fitted with the Lorient Integrity™ IS4010 threshold plate or any other 4000 series threshold plate.

MATERIALS

An extruded and anodised aluminium profile combined with a silicone rubber flexible gasket.

GAP SIZE

IS3020si Minimum 10mm - Maximum 13mm

IS3021si Minimum 10mm - Maximum 18mm

SIZES

Standard Lengths 1000mm, 2250mm

Also available in 250mm increments: 1000mm to 5000mm

FINISH

- Silver anodised aluminium with grey gasket.
- Bronze anodised aluminium with black gasket.

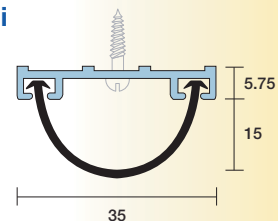
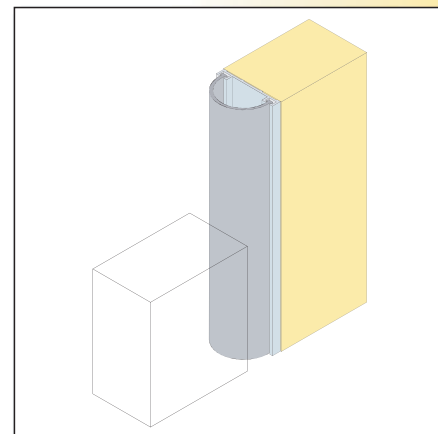
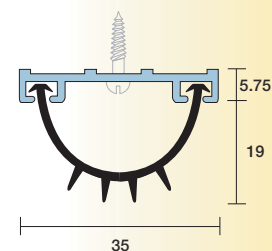
Other finishes available to special order.

FIXING

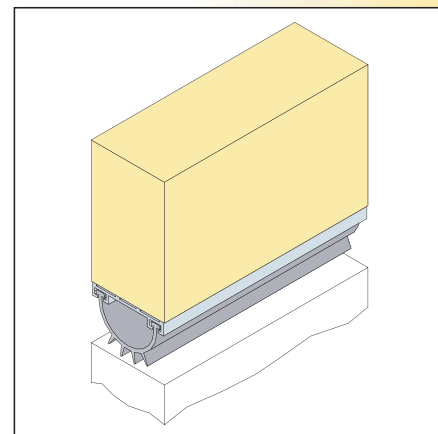
Fixing screws are supplied and fixing holes are pre-drilled. Push-fit gasket conceals fixings and allows for quick and easy installation.

SPECIFICATIONS

- Lorient Integrity™ IS3020si or IS3021si fitted to the meeting stile of the door leaf.
- Lorient Integrity™ IS3020si or IS3021si fitted to the bottom of the door leaf.

IS3020si

IS3021si


Above: Meeting stile detail for pairs of doors.



Above: Door bottom detail.