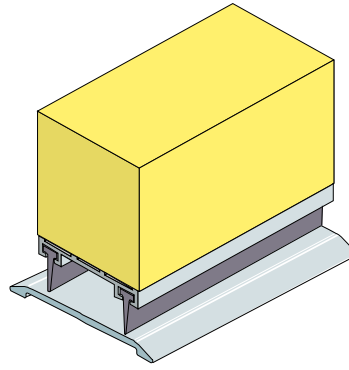
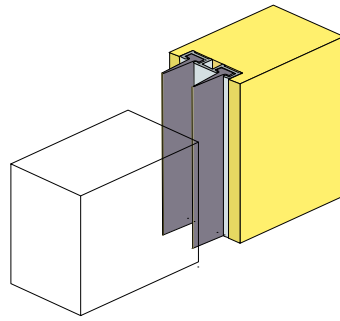
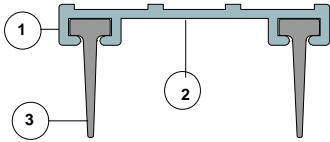




IS3022si

Fitting Instruction

Door Bottom or Meeting Stile seal with Silicone Rubber fins



DESCRIPTION OF CONTENTS

- Aluminium carrier (1)
- Pre-slotted holes (2)
- Flexible gaskets (3)
- Bag of screws
- Fitting instructions

TOOLS REQUIRED FOR INSTALLATION

- Tape measure
- Saw (power or hand)
- Screw driver
- Drill (power or hand)
- Knife
- Pencil or marker
- Router

MEETING STILE INSTALLATION DETAIL

STEP 1

If installed, remove door from its hinge, lay door on its edge and firmly restrain.

STEP 2

With taper measure and pencil, mark out the seal position along the centre line of the door stile. (Note that the finished groove should be 35mm wide).

STEP 3

Fit a suitable cutter into the router, set guide and machine a 5mm deep groove along the edge of the door.

STEP 4

Clean dust and chips from the rebate and check depth by applying seal.

STEP 5

Measure the door height and cut the seal to suit, using a sharp knife for the rubber seal and a saw for the aluminium section.

STEP 6

Fix the aluminium section into the rebate using the screws supplied (fixing holes are pre-drilled).

STEP 7

Ends of the aluminium channel may be centre punched to prevent seal movement.

DOOR BOTTOM INSTALLATION DETAIL

STEP 1

If installed, remove door from its hinge, lay door on its edge and firmly restrain.

STEP 2

With taper measure and pencil, mark out the seal position along the centre line of the door bottom. (Note that the finished groove should be 35mm wide).

STEP 3

Fit a suitable cutter into the router, set guide and machine a 5mm deep groove along the bottom of the door.

STEP 4

Clean dust and chips from the rebate and check depth by applying seal.

STEP 5

Measure the door width and cut the seal to suit, using a sharp knife for the rubber seal and a saw for the aluminium section.

STEP 6

Fix the aluminium section into the rebate using the screws supplied (fixing holes are pre-drilled).

STEP 7

Ends of the aluminium channel are centre punched to prevent seal movement.

OTHER INTEGRITY™ ARCHITECTURAL SEALS INCLUDE:

- Door Perimeter Seals
- Door Bottom Seals
- Automatic Door Bottom Seals
- Threshold Plates
- Brush Seals
- Magnetic Seals

NOTE

Recommendations as to methods for use of materials and construction details are based on the experience and knowledge of Lorient and are given in good faith as a general guide and service to designers, contractors and manufacturers.

Lorient reserves the right to make alterations or delete any installation detail without prior notice.

IMPORTANT – Ensure that the installation of this product does not impede the opening or closing of the door. It is recommended to check the adjustment of the door seal periodically to ensure the door assembly to which it is fitted, closes and latches properly.

The seal may be removed for periodic cleaning or replacement of a worn gasket, without removing the door leaf from its frame.

We recommend the IS3022si be used together with a Lorient Integrity™ 4000 series threshold plate.

AUSTRALIA
Lorient Australia
Tel 1300 858 010

ASIA PACIFIC
Lorient Pacific Limited Hong Kong
Tel: (+852) 2505 0328

EUROPE
Lorient Polyproducts Ltd UK
Tel: (+44) 1626 834252

MIDDLE EAST
Lorient Middle East Building
Materials Trading LLC Dubai
Tel (+971) 4267 4339
Fax (+971) 4267 5339

