


PRODUCT CODE
IS3017si & IS3022si
DESCRIPTION

Sweep action blade seals with high performance silicone rubber fins.

APPLICATION

The IS3017si and IS3022si seals can be surface-fixed or rebated to the bottoms or perimeters of single or double action doors.

KEY FEATURES

- Durable, high performance silicone rubber fins.
- Seals are mechanically fixed.
- Rebated installation allows for depth adjustment as required.
- Ideal smoke seal for pivot door assemblies.

USE WITH

We recommend the IS3017si or IS3022si door bottom seal be fitted with a Lorient IS4010 threshold plate or other 4000 Series threshold plate to maximize sealing performance.

MATERIALS

An extruded and anodised aluminium profile incorporating dual, flexible silicone rubber fins.

GAP SIZE

IS3017si	Minimum 12mm — Maximum 14mm
IS3022si	Minimum 12mm — Maximum 14mm (Dependent upon whether surface fixed or rebated.)

SIZES

Standard Lengths	1000mm, 2250mm
Also available in	250mm increments: 1000mm to 5000mm

FINISH

- Silver anodised aluminium section with grey silicone fins.
- Bronze anodised aluminium section with black silicone fins.

FIXING

Timber fixing screws are supplied with detailed fitting instructions. Fixing holes are pre-drilled (IS3017si) and slotted (IS3022si) to allow the seals to be adjusted and positioned accurately.

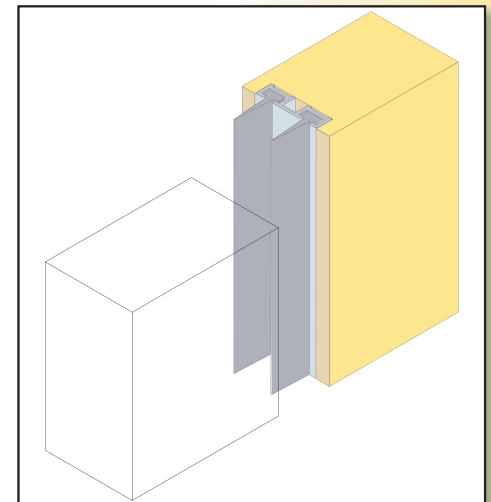
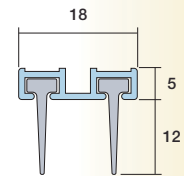
APPROVAL/S

- Complies with the deemed to satisfy provisions of BCA C3.4 resisting smoke at 200°C for 30 minutes (when fitted to compliant door leaf).

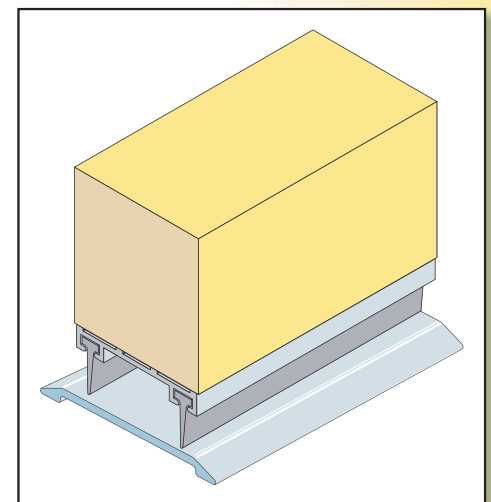
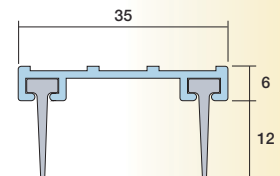
SPECIFICATIONS

Lorient Integrity™ IS3017si fitted to the bottom of the door leaf or meeting stile.

Lorient Integrity™ IS3022si fitted to the bottom of the door leaf.

IS3017si


Above: IS3017si fitted to meeting stile.

IS3022si


Above: IS3022si fitted to door bottom.