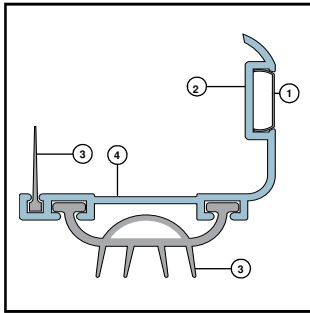


IS3070si

Fitting Instruction

Door Bottom seal



Length:

DESCRIPTION OF CONTENTS

- Decorative cover strip (1)
- Pre-slotted holes (2)
- Silicone rubber gaskets (3)
- Aluminium carrier (4)
- Bag of screws
- Fitting instructions

TOOLS REQUIRED FOR INSTALLATION

- Tape measure
- Saw (power or hand)
- Screw driver
- Drill (power or hand)
- 2.5mm Drill bit
- Knife
- Pencil or Marker

INSTALLATION DETAIL

It is not necessary to remove the door from the hinges and no painting is required after installation. This seal may be fixed to either side of the door bottom.

STEP 1

Remove the seal from the packaging and with the door closed, measure the width of the door bottom from the side of the door to which the seal is to be fixed.

Note: If the carrier is to be screw fixed to the stop side of the door then the face of the aluminium carrier will have to be checked out by the width of the door stop (at each end) to ensure that it does not bind and stop the door from closing and latching.

STEP 2

Remove the decorative cover strip and pull back silicone gaskets from the aluminium carrier.

STEP 3

Cut the aluminium carrier to length required.

STEP 4

Cut the decorative cover strip to length required.

STEP 5

Refit the silicone gaskets to the aluminium carrier and cut to length.

STEP 6

Apply the seal to the door bottom, allowing a minimum gap of 13mm between the door bottom and the door sill. Mark out the slotted hole locations with a pencil ensuring the silicone gasket blades lightly touch the floor.

STEP 7

Drill pilot holes with a 2.5mm drill bit.

STEP 8

With the screws provided fix the IS3070si seal to the bottom of the door leaf. (For uneven gaps, slight adjustment can be made via the slotted holes prior to tightening the fixing screws.)

STEP 9

Refit the decorative cover strip.

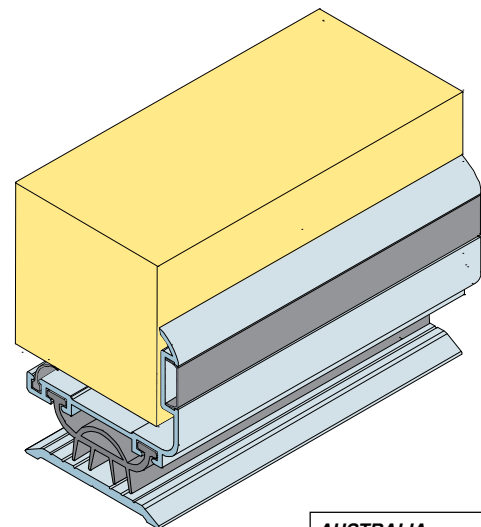
We recommend IS3070si door bottom seal be used together with a Lorient Integrity™ IS4100 threshold plate.

IMPORTANT – Ensure that the installation of this product does not impede the opening or closing of the door. It is recommended to check the adjustment of the door seal periodically to ensure the door assembly to which it is fitted, closes and latches properly.

NOTE

Recommendations as to methods for use of materials and construction details are based on the experience and knowledge of Lorient and are given in good faith as a general guide and service to designers, contractors and manufacturers.

Lorient reserves the right to make alterations or delete any installation detail without prior notice.



OTHER INTEGRITY™ ARCHITECTURAL SEALS INCLUDE:

- Door Perimeter Seals
- Door Bottom Seals
- Automatic Door Bottom Seals
- Threshold Plates
- Brush Seals
- Magnetic Seals

Contact your nearest Lorient office for further details.

AUSTRALIA
Lorient Australia

Tel 1300 858 010

ASIA PACIFIC
Lorient Pacific Limited Hong Kong

Tel: (+852) 2505 0328

EUROPE
Lorient Polyproducts Limited UK

Tel: (+44) 1626 834252

MIDDLE EAST
Lorient Middle East Building
Materials Trading LLC Dubai

Tel (+971) 4267 4339
Fax (+971) 4267 5339