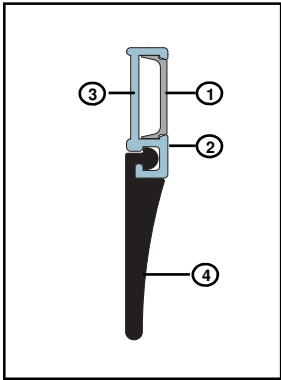


IS3080si

Fitting Instruction

Door Bottom Seal



Length:

DESCRIPTION OF CONTENTS

- Cover strip (1)
- Aluminium carrier (2)
- Pre-slotted holes (3)
- Silicone gasket (4)
- Bag of screws
- Fitting instructions

TOOLS REQUIRED FOR INSTALLATION

- Tape measure
- Saw (power or hand)
- Screw driver
- 2.5mm drill bit
- Drill (power or hand)
- Knife
- Pencil or Marker

INSTALLATION DETAIL

It is not necessary to remove the door from its hinges unless otherwise specified.

STEP 1

Remove the seal from the packaging and measure the door width.

STEP 2

Remove the decorative cover strip from the aluminium carrier.

STEP 3

Pull back silicone gasket and cut aluminium carrier to required length.

STEP 4

Cut the decorative cover strip to the length required.

STEP 5

Slide silicone gasket back into position and cut to required length.

STEP 6

Position the seal to the door bottom (as illustrated) and mark out the slotted hole locations with a pencil.

STEP 7

Drill pilot holes with a 2.5mm drill bit (if required).

STEP 8

Lightly screw fix the length to the door bottom through the slotted holes with the screws supplied. (Fixing holes are pre-slotted to enable the seal to be accurately adjusted as required).

STEP 9

Close the door and check for a uniform seal, adjust the seal if required.

STEP 10

Tighten screws and replace the decorative cover strip.

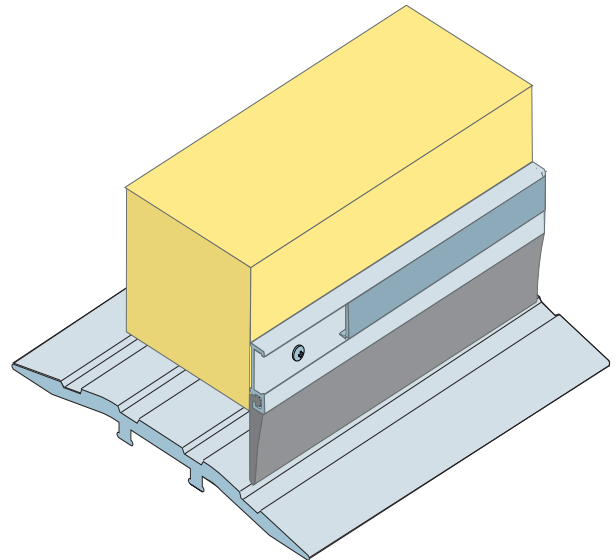
We recommend the IS3080si seal be fitted with a Lorient Integrity™ 4000 series threshold plate.

IMPORTANT – Ensure that the installation of this product does not impede the opening or closing of the door. It is recommended to check the adjustment of the door seal periodically to ensure the door assembly to which it is fitted, closes and latches properly.

NOTE

Recommendations as to methods for use of materials and construction details are based on the experience and knowledge of Lorient and are given in good faith as a general guide and service to designers, contractors and manufacturers.

Lorient reserves the right to make alterations or delete any installation detail without prior notice.



OTHER INTEGRITY™ ARCHITECTURAL SEALS INCLUDE:

- | | |
|-------------------------------|--------------------|
| ■ Door Perimeter Seals | ■ Threshold Plates |
| ■ Door Bottom Seals | ■ Brush Seals |
| ■ Automatic Door Bottom Seals | ■ Magnetic Seals |

Contact your nearest Lorient office for further details.

AUSTRALIA
Lorient Australia
Tel 1300 858 010

ASIA PACIFIC
Lorient Pacific Limited Hong Kong
Tel: (+852) 2505 0328

EUROPE
Lorient Polyproducts Ltd UK
Tel: (+44) 1626 834252

MIDDLE EAST
Lorient Middle East Building
Materials Trading LLC Dubai
Tel (+971) 4267 4339
Fax (+971) 4267 5339