



PRODUCT CODE

IS3080si

DESCRIPTION

Heavy duty sweep action door bottom seal.

APPLICATION

The IS3080si seal can be used as a door bottom for outward opening doors and tilt-up doors. It can also be used as a meeting stile seal. This seal protects against dust, light, insects and weather.

KEY FEATURES

- Hard wearing and durable seal.
- Slim-line, aesthetic design.
- Seal mechanically fixed without self-adhesive.
- Pre-drilled and slotted fixing holes provide for adjustable installation.
- Easy to install flexible cover strip for concealed fixings.
- Easily installed without removing the door.

USE WITH

We recommend the IS3080si door bottom seal be fitted with a Lorient Integrity™ 4000 series threshold plate.

MATERIALS

An extruded and anodised aluminium profile combined with a cover strip and a silicone rubber flexible gasket.

GAP SIZE

Minimum 5mm - Maximum 20mm

SIZES

Standard Lengths 1000mm, 2250mm
Also available in 250mm increments: 1000mm to 5000mm
Seals can be cut on-site for exact dimensions.

FINISH

- Silver anodised aluminium with black silicone gasket and grey cover strip (grey silicone gasket available upon request).
- Bronze anodised aluminium with black silicone gasket and black cover strip.

Other finishes available to special order.

FIXING

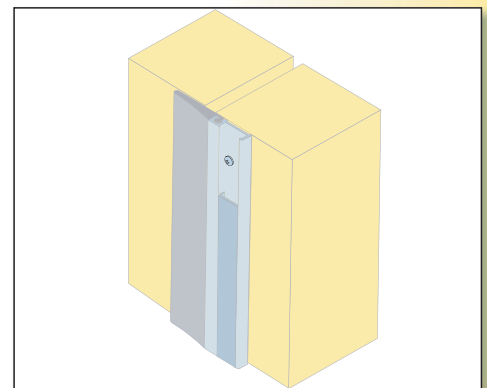
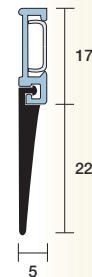
Self-drilling metal and timber fixing screws are supplied. Fixing holes are pre-drilled and slotted to allow the seals to be adjusted and positioned accurately. A decorative cover strip is supplied to conceal fixings.

APPROVAL/S

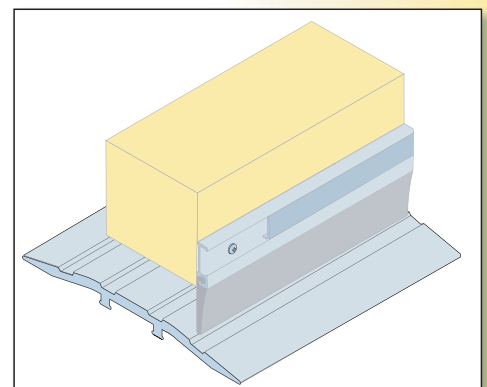
- AS1530/4 fire tests with proprietary fire door assemblies.
- Can be considered deemed to satisfy to BCA Specification C3.4 for use with smoke doors (when fitted to compliant door leaf).
- Acoustic ratings to AS1191 and AS1276 in conjunction with other Lorient Integrity™ seals.

SPECIFICATIONS

Lorient Integrity™ IS3080si fitted to the bottom of the door leaf.



Above: Meeting stile detail for pairs of doors.



Above: IS3080si seal applied to a timber door bottom combined with an IS4015 threshold plate.