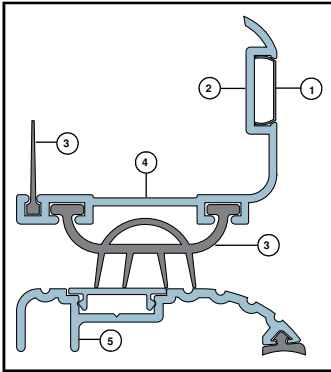


# IS3100si

## Fitting Instruction

Door Bottom & Threshold plate



Length:

### DESCRIPTION OF CONTENTS

- Decorative cover strip (1)
- Pre-slotted holes (2)
- Silicone rubber gaskets (3)
- Aluminium carrier (4)
- Threshold Plate (5)
- Bag of screws
- Fitting instructions

### TOOLS REQUIRED FOR INSTALLATION

- Tape measure
- Saw (power or hand)
- Screw driver
- Drill (power or hand)
- Knife
- Pencil or Marker

### INSTALLATION DETAIL

It is not necessary to remove the door from the hinges and no painting is required after installation. This seal may be fixed to either side of the door bottom. Allow a minimum gap of 22mm between the door bottom and the door sill.

#### STEP 1

**For the seal fitted to the door bottom.** Remove the seal from the packaging and with the door closed, measure the width of the door bottom on the side of the door to which the seal is to be fixed.

**Note:** If the carrier is to be screw fixed to the stop side of the door then the face of the aluminium carrier will have to be checked out by the width of the door stop (at each end) to ensure that it does not bind and stop the door from closing and latching.

#### STEP 2

Remove the decorative cover strip and pull back silicone gaskets from the aluminium carrier.

#### STEP 3

Measure, mark and cut the aluminium carrier to required length.

#### STEP 4

Cut the decorative cover strip and silicone gaskets to length required. (Continue with the door bottom seal after fitting the threshold)

#### STEP 5

**For the threshold plate.** Remove the packaging and measure the door width between jambs to determine the required plate length

#### STEP 6

Measure, mark and cut the threshold plate and screw cover to length.

#### STEP 7

Position the plate on the door sill in required location.

#### STEP 8

Using a power drill with a 4.5mm drill bit, create fixing holes in the plate at the required fixing positions.

#### STEP 9

With the plate in position, mark hole centres on the floor. Using a masonry drill, create fixing holes. Clean away the dust and insert supplied plastic plugs.

#### STEP 10

Screw fix, then fit the snap on cover to hide screw heads. (Where threshold plate meets the door stop, sealant may be applied to prevent water ingress).

#### STEP 11

**For the seal fitted to the door bottom.** Apply the door bottom seal to the lower edge. Mark out the slotted hole locations with a pencil ensuring the flexible gasket blades lightly compress against the fixed threshold plate.

#### STEP 12

Drill pilot fixing holes with a 2.5mm drill bit.

#### STEP 13

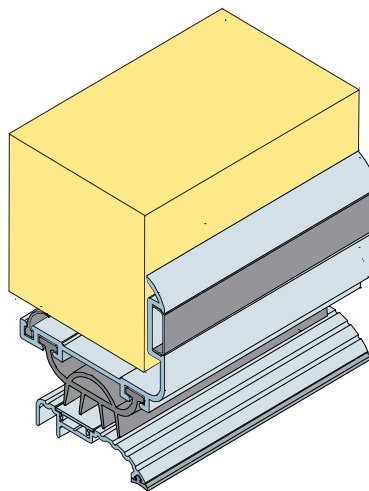
With the screws provided fix the seal to the bottom of the door leaf. (For uneven gaps, slight adjustment can be made via the slotted holes prior to tightening the fixing screws.)

#### STEP 14

Refit the decorative cover strip.

#### STEP 15

Check to ensure the door can open and close properly.



### NOTE

Recommendations as to methods for use of materials and construction details are based on the experience and knowledge of Lorient and are given in good faith as a general guide and service to designers, contractors and manufacturers.

Lorient reserves the right to make alterations or delete any installation detail without prior notice.

We recommend IS3070si door bottom seal be used together with a Lorient Integrity™ IS4100 threshold plate.

**IMPORTANT – Ensure that the installation of this product does not impede the opening or closing of the door. It is recommended to check the adjustment of the door seal periodically to ensure the door assembly to which it is fitted, closes and latches properly.**

### OTHER INTEGRITY™ ARCHITECTURAL SEALS INCLUDE:

- Door Perimeter Seals
- Door Bottom Seals
- Automatic Door Bottom Seals
- Threshold Plates
- Brush Seals
- Magnetic Seals

Contact your nearest Lorient office for further details.

**AUSTRALIA**  
Lorient Australia

Tel 1300 858 010

**ASIA PACIFIC**  
Lorient Pacific Limited Hong Kong

Tel: (+852) 2505 0328

**EUROPE**  
Lorient Polyproducts Limited UK

Tel: (+44) 1626 834252

**MIDDLE EAST**  
Lorient Middle East Building  
Materials Trading LLC Dubai

Tel (+971) 4267 4339  
Fax (+971) 4267 5339