

**PRODUCT CODE**
IS3070si**DESCRIPTION**

Heavy duty, door bottom seal.

APPLICATION

The IS3070si weather resistant seal can be fitted without removing the door, and can be used with alternative threshold plates. This seal protects against smoke, dust, light, insects and weather.

KEY FEATURES

- Hard wearing and durable silicone rubber seal.
- Pre-drilled and slotted fixing holes provide for adjustable installation.
- Aesthetic cover strip ensures there is no visible screw line.
- Easily installed without removing the door.

USE WITH

We recommend the IS3070si door bottom seal be fitted with a Lorient IS4100 threshold plate.

MATERIALS

An extruded and anodized aluminium profile combined with silicone rubber gaskets and flexible vinyl cover strip.

GAP SIZE

Minimum 12mm — Maximum 14mm

SIZES

Standard Lengths 1000mm, 2250mm
Individual Lengths 250mm increments 1000mm — 5000mm.

FINISH

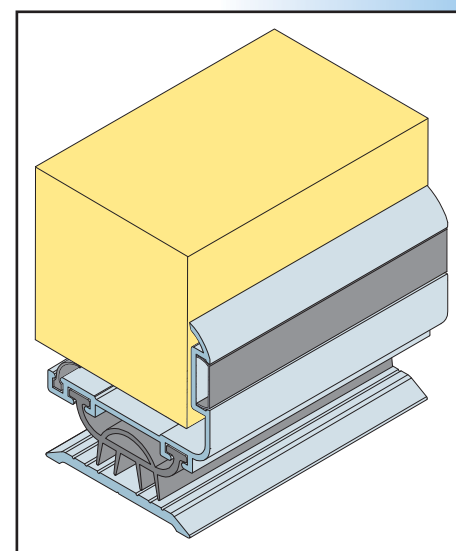
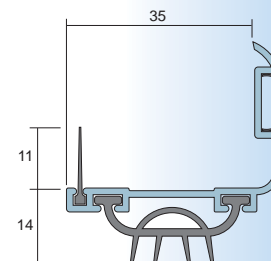
- Silver anodized aluminium section with grey silicone rubber gasket and grey cover strip.
- Bronze anodized aluminium section with black silicone rubber gasket and black cover strip.

FIXING

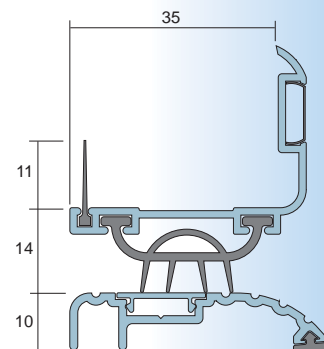
Timber fixing screws are supplied. Fixing holes are predrilled and slotted to allow the seals to be adjusted and positioned accurately. A decorative cover strip is supplied to conceal fixings.

SPECIFICATIONS

Lorient Integrity™ IS3070si fitted to the bottom of the door leaf.
Lorient Integrity™ IS3100si (combined IS3070si & IS4100 threshold plate) fitted to the bottom of the door.



IS3070si door bottom seal with IS4130 threshold plate



IS3100si Door Bottom Seal Set
(Combined IS3070si & IS4100 threshold seal).

Please contact our office if you require any further information

NSW Ph: (02) 9907 3844 Fax: (02) 9907 3855

VIC Ph: (03) 9785 2688 Fax: (03) 9785 2386

QLD Ph: (07) 3635 5000 Fax: (07) 3861 9266

E-mail integrity@lorient.com.au

www.lorient.com.au

Datasheet D-0073-02/08. Other datasheets available on request. Copyright © 2008 Lorient Australia