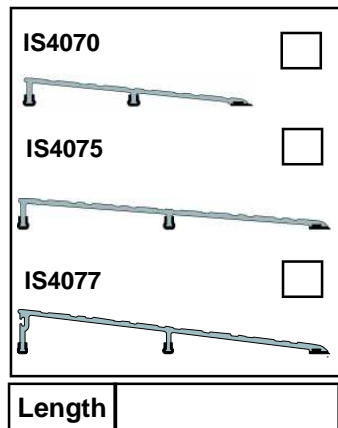




# IS4070, IS4075, IS4077. Fitting Instruction

Threshold Ramps



## INSTALLATION DETAIL

It is not necessary to remove the door from its hinges.

### STEP 1

Remove the plate from the packaging and measure the door width, between jambs or door stops to determine the plate length required.

### STEP 2

Measure the threshold and mark with a pencil the desired length.

### STEP 3

Pull back vinyl feet and cut with a knife. Cut through the threshold plate at the line using a saw.

### STEP 4

Position the plate on the door sill in required location (ensuring edge of carpet is butted up against back wall of seal).

### STEP 5

#### Screw Fix

Using a power drill with a 3mm drill bit, create fixing holes in required position, making sure to countersink, and screw fix using screws and plugs supplied.

#### Adhesive Fix

Apply adhesive to the back of the threshold plate and place it in the desired position.

### STEP 6

Where the threshold ramp meets the door stop, sealant may be applied to prevent ingress of moisture.

### STEP 7

Check to ensure the door can open and close without the need for excessive force.

## NOTE

For effective operation, the IS4070 and IS4075 threshold ramps require a minimum of 15mm clearance between the door and the floor. The IS4077 requires a minimum of 22mm.

**IMPORTANT – Ensure that the installation of this product does not impede the opening or closing of the door.**

## OTHER INTEGRITY™ ARCHITECTURAL SEALS INCLUDE:

- Door Perimeter Seals
- Door Bottom Seals
- Automatic Door Bottom Seals
- Threshold Plates
- Brush Seals
- Magnetic Seals

Contact your nearest Lorient office for further details.

## NOTE

*Recommendations as to methods for use of materials and construction details are based on the experience and knowledge of Lorient and are given in good faith as a general guide and service to designers, contractors and manufacturers.*

*Lorient reserves the right to make alterations or delete any installation detail without prior notice.*

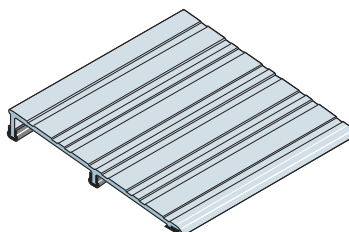
## DESCRIPTION OF CONTENTS

- Aluminium threshold
- Screws and plugs
- Vinyl feet
- Fitting instruction

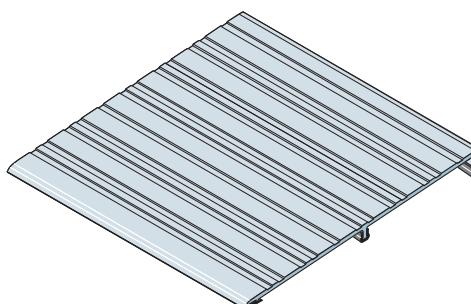
## TOOLS REQUIRED FOR INSTALLATION

- Tape measure
- Pencil or marker
- Saw (power or hand)
- Power drill
- 3mm drill bit
- Countersink
- Construction adhesive

IS4070



IS4075



**Architectural Seals**

<p><b>AUSTRALIA</b> Lorient Australia Tel 1300 858 010</p> <p><b>ASIA PACIFIC</b> Lorient Pacific Limited Hong Kong Tel: (+852) 2505 0328</p> <p><b>EUROPE</b> Lorient Polyproducts Ltd UK Tel: (+44) 1626 834252</p> <p><b>MIDDLE EAST</b> Lorient Middle East Building Materials Trading LLC Dubai Tel (+971) 4267 4339 Fax (+971) 4267 5339</p>
--