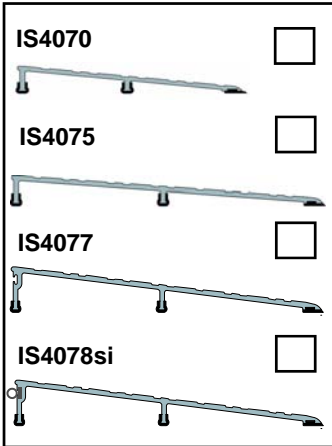


**IS4070, IS4075,  
IS4077, IS4078si.**  
**Fitting Instruction**  
Threshold Ramps



**Length:**

**DESCRIPTION  
OF CONTENTS**

- Aluminium threshold
- Stainless Steel screws and plugs
- Vinyl feet
- Silicone rubber gasket (IS4078si)
- Fitting instruction

**TOOLS REQUIRED  
FOR INSTALLATION**

- Tape measure
- Pencil or marker
- Saw (power or hand)
- Power drill
- 4.5mm drill bit
- 6.0mm masonry bit
- Countersink
- Construction adhesive

**INSTALLATION DETAIL**

It is not necessary to remove the door from its hinges.

**STEP 1**

Remove the plate from the packaging and measure the door width, between jambs or door stops to determine the plate length required.

**STEP 2**

Measure the threshold and mark with a pencil the desired length (and profile if cutting around the door stop).

**STEP 3**

Pull back the vinyl bedding feet and silicone gasket (IS4078si) and cut the threshold plate to length using a saw. Replace the vinyl feet and silicone gasket (IS4078si) and trim to length with a knife.

**STEP 4**

Position the plate on the door sill in required location (ensuring edge of carpet is butted up against back wall of seal).

**STEP 5**

Screw Fix

Using a power drill with a 4.5mm drill bit, create fixing holes in the plate at the required positions. Countersink to ensure flush screw heads.

With the plate in position, mark hole centres on the floor.

Using a masonry drill, create fixing holes. Clean away dust and insert supplied plastic plugs. Screw fix.

Adhesive Fix

Apply adhesive to the back of the threshold plate and place it in the desired position. (Discard the vinyl feet if not suitable)

**STEP 6**

Where the threshold ramp meets the door stop, sealant may be applied to prevent ingress of moisture.

**STEP 7**

Check to ensure the door can open and close without the need for excessive force.

**NOTE**

For effective operation, the IS4070 and IS4075 threshold ramps require a minimum of 16mm clearance between the door and the floor. The IS4077 and IS4078si requires a minimum of 21mm.

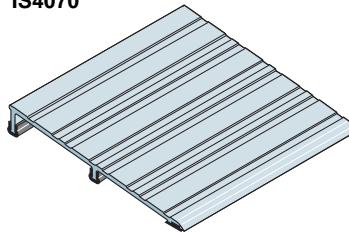
**IMPORTANT – Ensure that the installation of this product does not impede the opening or closing of the door.**

**NOTE**

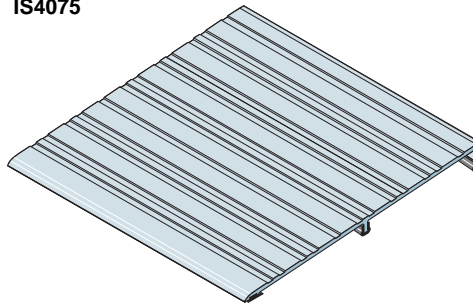
*Recommendations as to methods for use of materials and construction details are based on the experience and knowledge of Lorient and are given in good faith as a general guide and service to designers, contractors and manufacturers.*

*Lorient reserves the right to make alterations or delete any installation detail without prior notice.*

IS4070



IS4075



**OTHER INTEGRITY™ ARCHITECTURAL SEALS INCLUDE:**

- |                               |                    |
|-------------------------------|--------------------|
| ■ Door Perimeter Seals        | ■ Threshold Plates |
| ■ Door Bottom Seals           | ■ Brush Seals      |
| ■ Automatic Door Bottom Seals | ■ Magnetic Seals   |

Contact your nearest Lorient office for further details.

**AUSTRALIA**  
Lorient Australia  
Tel 1300 858 010

**ASIA PACIFIC**  
Lorient Pacific Limited Hong Kong  
Tel: (+852) 2505 0328

**EUROPE**  
Lorient Polyproducts Ltd UK  
Tel: (+44) 1626 834252

**MIDDLE EAST**  
Lorient Middle East Building  
Materials Trading LLC Dubai  
Tel (+971) 4267 4339  
Fax (+971) 4267 5339



**Architectural Seals**