


PRODUCT CODE
IS4070, IS4075, IS4077, IS4078si
DESCRIPTION

Heavy duty, low profile threshold ramps.

APPLICATION

These threshold ramps are for use in buildings where wheelchairs and trolleys are used, or to compensate for uneven floors. Their low profile ensures compliance with the access for people with disability requirements, particularly for wheelchair traffic.

KEY FEATURES

- Supplied with PVC bedding pads to eliminate vibration and noise.
- Durable, anodised, aesthetic finish.
- Low profile, complying with AS1428/1 and BCA D3.
- Suitable for wheelchair traffic.
- **IS4070** has a 1:8 gradient.
IS4075 has a 1:12 gradient.
IS4077 has a 1:8 gradient.
IS4078si has a 1:8 gradient.
- Helps prevent rain infiltration when used in conjunction with a Lorient Integrity™ 3000 or 8000 Series door bottom seal.

USE WITH

Used in conjunction with a Lorient Integrity™ 7000 series perimeter seal and 8000 Series automatic door bottom seal to provide a total door sealing solution.

MATERIALS

Extruded and anodised aluminium.

SIZES

Standard Lengths 1000mm, 2250mm
Also available in 250mm increments:
 1000mm to 5000mm
 Seals can be cut on-site for exact dimensions.
 Order length wider than door opening to provide a neat detail at door bottom.

FINISH

- Silver anodised aluminium
- Bronze anodised aluminium.

FIXING

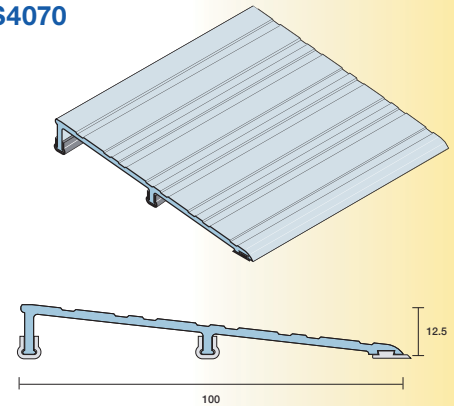
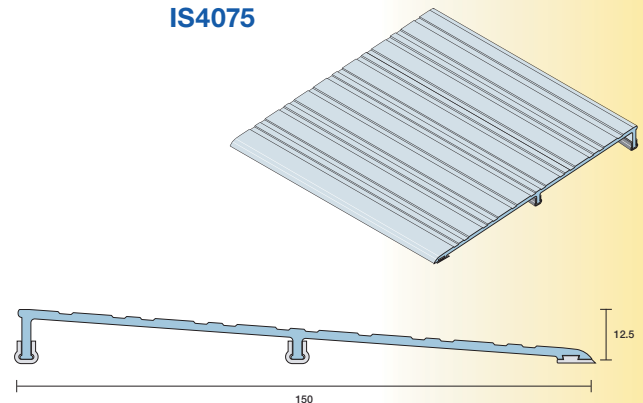
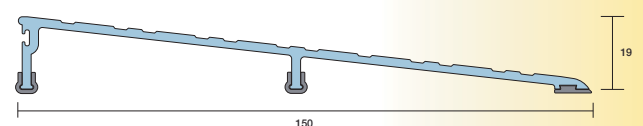
Appropriate fixing screws are supplied. Alternatively, can be fastened with builders adhesive for concealed fixing.

APPROVAL/S

- AS1530/4 fire tests with proprietary fire door assemblies.
- Complies with AS1428/1 (Design for access and mobility).
- Conforms to Building Code of Australia BCA D3 (Access for people with disabilities).

SPECIFICATIONS

Lorient Integrity™ IS4070/IS4075/IS4077/IS4078si threshold plate fitted to the sill under the door.

IS4070

IS4075

IS4077

IS4078si (with silicone gasket)
