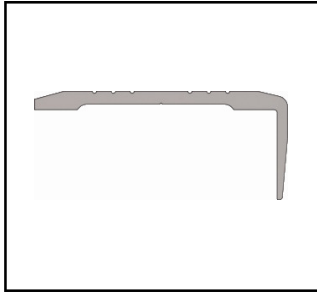


# IS4135

## Fitting Instruction

### Threshold Plates



Length:

### DESCRIPTION OF CONTENTS

- Aluminium threshold
- Stainless Steel screws and plugs
- Fitting instruction

### TOOLS REQUIRED FOR INSTALLATION

- Tape measure
- Pencil or marker
- Saw (power or hand)
- Power drill
- 4.5mm drill bit
- 6mm masonry bit
- Countersink
- Construction adhesive

## INSTALLATION DETAIL

### STEP 1

Remove the plate from the packaging and measure the door width, between jambs or door stops to determine the plate length required.

### STEP 2

Measure the threshold plate and mark the desired length (and profile if cutting around door stop) with a pencil.

### STEP 3

Position the plate on the door sill in required location.

### STEP 4

#### Screw Fix

Using a power drill with a 4.5mm drill bit, create fixing holes in the plate at the required position, making sure to countersink.

With the threshold in position, mark hole centres on floor.

Using masonry drill, create fixing holes. Clean away dust and insert supplied plastic plugs.

Screw fix the threshold in place using screws & plugs supplied.

#### Adhesive Fix

Apply adhesive to the back of the threshold plate and place it in the desired position.

#### Note: for exterior applications

Where threshold plate meets the door stop, sealant should be applied to prevent water ingress.

### STEP 5

Check to ensure the door opens and closes freely.

## NOTE

For effective operation, the IS4135 threshold plate requires a minimum of 6mm clearance between the door and the floor.

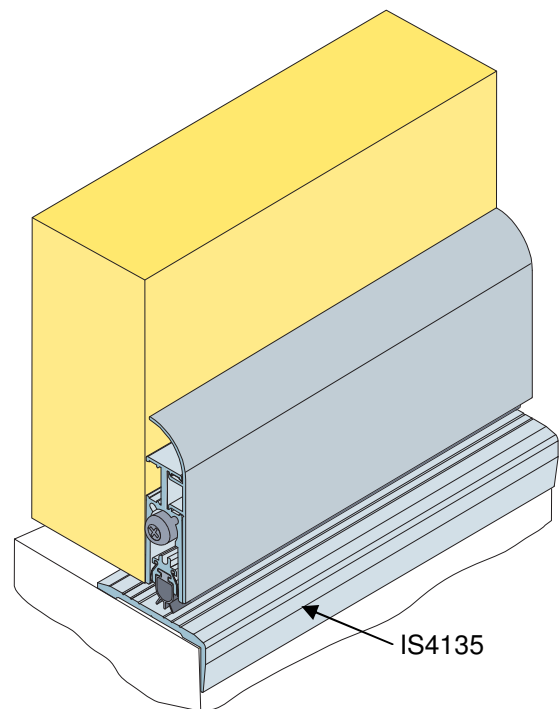
## IMPORTANT

Ensure that the installation of this product does not impede the opening or closing of the door.

## NOTE

*Recommendations as to methods for use of materials and construction details are based on the experience and knowledge of Lorient and are given in good faith as a general guide and service to designers, contractors and manufacturers.*

*Lorient reserves the right to make alterations or delete any installation detail without prior notice.*



### OTHER INTEGRITY™ ARCHITECTURAL SEALS INCLUDE:

- Door Perimeter Seals
- Door Bottom Seals
- Automatic Door Bottom Seals
- Threshold Plates
- Brush Seals
- Magnetic Seals

Contact your nearest Lorient office for further details.