

PRODUCT CODE
IS4135
DESCRIPTION

Medium duty, low profile threshold plate/stair nosing.

APPLICATION

The IS4135 threshold plate is suitable for uneven or raised door sills to help prevent rain, draught, and light penetration when used in conjunction with a Lorient 3000 Series or 8000 Series door bottom seal.

KEY FEATURES

- Durable, anodised finish.
- Helps prevent rain and draught infiltration when used in conjunction with a Lorient 3000 or 8000 Series door bottom seal.
- Ideal as a threshold plate and stair-nosing combination.

USE WITH

Used in conjunction with a Lorient Integrity™ 7000 series perimeter seal and 8000 Series automatic door bottom seal to provide a total door sealing solution.

MATERIALS

Extruded and anodised aluminium.

SIZES

Standard Lengths 1000mm, 2250mm
Also available in 250mm increments: 1000mm to 5000mm
Threshold plates can be cut on-site for exact dimensions.
 Order length wider than door opening to provide a neat detail at door bottom.

FINISH

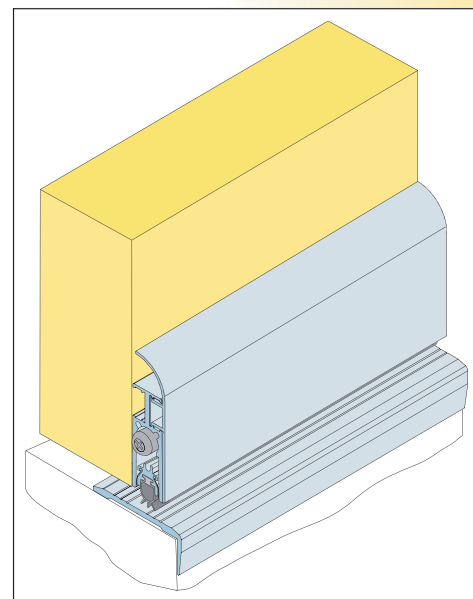
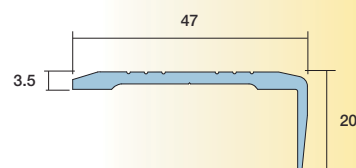
- Silver anodised aluminium.

FIXING

Appropriate fixing screws and plugs are supplied. Alternatively, can be fastened with builders adhesive for concealed fixing.

SPECIFICATIONS

Lorient Integrity™ IS4135 threshold plate fitted to the sill/step under the door.



Above: IS4135 threshold plate combined with an IS8036si automatic door bottom seal