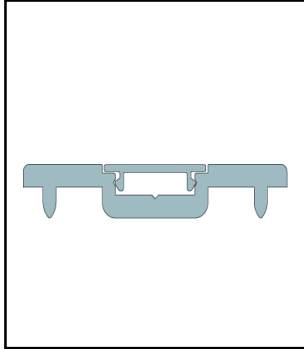


IS4140

Fitting Instruction

Threshold Plate



Length:

DESCRIPTION OF CONTENTS

- Aluminium threshold
- Aluminium snap cover
- Stainless Steel screws and plugs
- Fitting instruction

TOOLS REQUIRED FOR INSTALLATION

- Tape measure
- Pencil or marker
- Saw (power or hand)
- Power drill
- 4.5mm drill bit
- 6.0mm masonry bit

INSTALLATION DETAIL

It is not necessary to remove the door from its hinges.

STEP 1

Remove the plate from the packaging and measure the door width, between jambs or door stops to determine the plate length required.

STEP 2

Measure the threshold and mark with a pencil the desired length.

STEP 3

Cut through the threshold plate and cover using a saw.

STEP 4

Position the plate on the door sill in required location. (Trim away the carpet under the threshold plate where required to achieve a flush finish)

STEP 5

Using a power drill with a 4.5mm drill bit, create fixing holes in the plate at the required positions.

With threshold plate in position, mark hole centres on floor.

Using masonry drill, create fixing holes. Clean away dust and insert supplied plastic plugs.

STEP 6

Screw fix using screws & plugs supplied. Then fit the snap on cover to hide screw heads.

STEP 7

Check to ensure the door can open and close properly.

NOTE

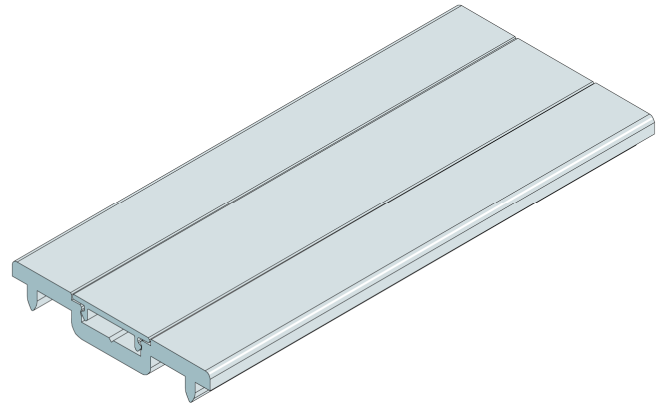
For effective operation, the IS4140 threshold plate requires a minimum of 9mm clearance between the door and the floor.

IMPORTANT – Ensure that the installation of this product does not impede the opening or closing of the door.

NOTE

Recommendations as to methods for use of materials and construction details are based on the experience and knowledge of Lorient and are given in good faith as a general guide and service to designers, contractors and manufacturers.

Lorient reserves the right to make alterations or delete any installation detail without prior notice.



OTHER INTEGRITY™ ARCHITECTURAL SEALS INCLUDE:

- Door Perimeter Seals
- Door Bottom Seals
- Automatic Door Bottom Seals
- Threshold Plates
- Brush Seals
- Magnetic Seals

Contact your nearest Lorient office for further details.

AUSTRALIA
Lorient Australia
Tel 1300 858 010

ASIA PACIFIC
Lorient Pacific Limited Hong Kong
Tel: (+852) 2505 0328

EUROPE
Lorient Polyproducts Ltd UK
Tel: (+44) 1626 834252

MIDDLE EAST
Lorient Middle East Building
Materials Trading LLC Dubai
Tel (+971) 4267 4339
Fax (+971) 4267 5339