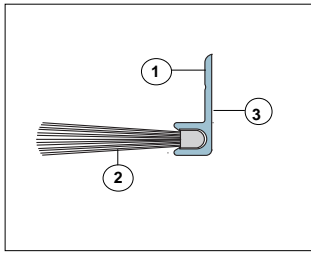




IS5160H Fitting Instruction

Brush Seal



Length:

DESCRIPTION OF CONTENTS

- Aluminium carrier (1)
- Nylon brush filaments (2)
- Self-adhesive tape (3)
- Bag of screws
- Fitting instructions

TOOLS REQUIRED FOR INSTALLATION

- Tape measure
- Saw (power or hand)
- Screw driver
- 2.5mm drill bit
- Drill (power or hand)
- Combination pliers
- Pencil or marker

INSTALLATION DETAIL

It is not necessary to remove the door unless otherwise specified.

STEP 1

Remove the seal from the packaging and measure the lengths of the meeting stile or Head and Jambs

STEP 2

Slide out the brush pile from the aluminium carrier. Cut the aluminium carrier to the desired length. Re-insert the brush and cut to length using the combination pliers. Ensure that the end of the steel filament holder is crimped closed to ensure that the nylon filaments are adequately retained.

STEP 3

Position the seals to the meeting stile of the door and mark out the fixing hole locations with a pencil.

STEP 4

Drill pilot holes with a 2.5mm drill bit (if required).

STEP 5

Screw-fix into position with the screws supplied.

STEP 6

Close the door and check for a uniform seal.

Fixing Note:
It is vital that combination pliers are used to cut the metal casing of the nylon pile. Any cut ends need to be 'closed in' to prevent loss of the pile and pile retaining wire.

A tighter fit between the Aluminum carrier and brush pile can be achieved by slightly bending the brush pile in the middle of its' length.

In many situations the self-adhesive tape will be sufficient to hold the seal in place, provided the surface is clean, smooth and dry. For added security, it is recommended to use the screw fixings.

IMPORTANT – Ensure that the installation of this product does not impede the opening or closing of the door. It is recommended to check the adjustment of the door seal periodically to ensure the door assembly to which it is fitted, closes and latches properly.

OTHER INTEGRITY™ ARCHITECTURAL SEALS INCLUDE:

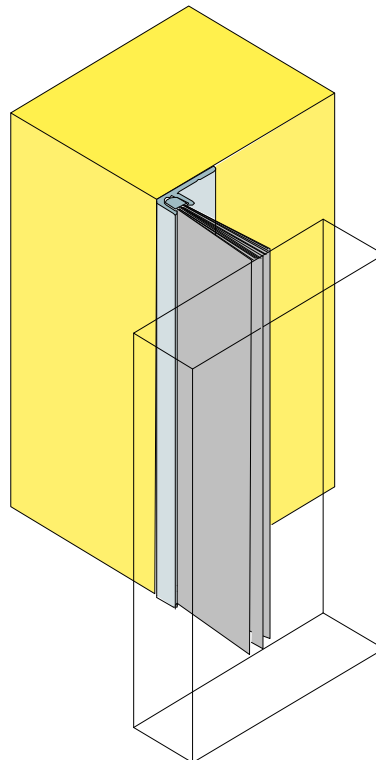
- Door Perimeter Seals
- Door Bottom Seals
- Automatic Door Bottom Seals
- Threshold Plates
- Brush Seals
- Magnetic Seals

Contact your nearest Lorient office for further details.

Note

Recommendations as to methods for use of materials and construction details are based on the experience and knowledge of Lorient and are given in good faith as a general guide and service to designers, contractors and manufacturers.

Lorient reserves the right to make alterations or delete any installation detail without prior notice.



Architectural Seals

AUSTRALIA
Lorient Australia
Tel 1300 858 010

ASIA PACIFIC
Lorient Pacific Limited Hong Kong
Tel: (+852) 2505 0328

EUROPE
Lorient Polyproducts Ltd UK
Tel: (+44) 1626 834252

MIDDLE EAST
Lorient Middle East Building Materials Trading LLC Dubai
Tel (+971) 4267 4339
Fax (+971) 4267 5339