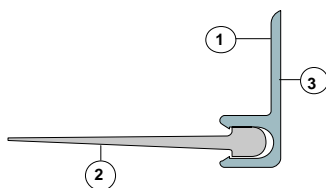




# IS5161Hsi Fitting Instruction

Silicone Rubber Blade Seal



|        |  |
|--------|--|
| Length |  |
|--------|--|

## DESCRIPTION OF CONTENTS

- Aluminium carrier (1)
- Silicone Rubber Blade (2)
- Self-adhesive tape (3)
- Bag of screws
- Fitting instructions

## TOOLS REQUIRED FOR INSTALLATION

- Tape measure
- Saw (power or hand)
- Screw driver
- 2.5mm drill bit
- Drill (power or hand)
- Combination pliers
- Pencil or marker

## INSTALLATION DETAIL

It is not necessary to remove the door unless otherwise specified.

### STEP 1

Remove the seal from the packaging and measure the lengths of the meeting stile or head and jambs

### STEP 2

Mark seal with desired length. Cut the silicone rubber blade with a knife and the aluminium carrier with a saw to the desired length

### STEP 3

Position the seals to the desired position on the door and mark out the fixing hole locations with a pencil.

### STEP 4

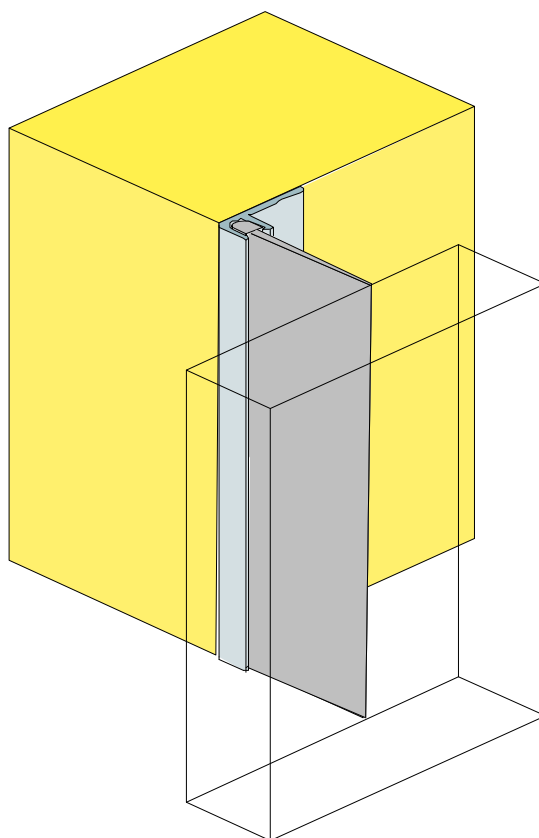
Drill pilot holes with a 2.5mm drill bit (if required).

### STEP 5

Screw-fix into position with the screws supplied.

### STEP 6

Close the door and check for a uniform seal.



## OTHER INTEGRITY™ ARCHITECTURAL SEALS INCLUDE:

- Door Perimeter Seals
- Door Bottom Seals
- Automatic Door Bottom Seals
- Threshold Plates
- Brush Seals
- Magnetic Seals

Contact your nearest Lorient office for further details.

## Note

*Recommendations as to methods for use of materials and construction details are based on the experience and knowledge of Lorient and are given in good faith as a general guide and service to designers, contractors and manufacturers.*

*Lorient reserves the right to make alterations or delete any installation detail without prior notice.*

**AUSTRALIA**  
Lorient Australia

Tel 1300 858 010

**ASIA PACIFIC**  
Lorient Pacific Limited Hong Kong

Tel: (+852) 2505 0328

**EUROPE**  
Lorient Polyproducts Limited UK

Tel: (+44-1626) 834252

**MIDDLE EAST**  
Lorient Middle East Building  
Materials Trading LLC Dubai

Tel (+971) 50 255 3265

