



PRODUCT CODE
IS5160H, IS5175A

DESCRIPTION

Heavy duty sweep action brush seals.

APPLICATION

The IS5160H seal is designed with a 90° angle aluminium carrier and is used to prevent draught and dust penetration on sliding doors. The IS5175A seal is designed with a 45° angle aluminium carrier and is used to prevent draught and dust penetration around the perimeter of roller and tilt-up doors.

KEY FEATURES

- Slim-line, aesthetic design.
- Easily installed without removing the door.

USE WITH

Used in conjunction with a Lorient Integrity™ 4000 Series threshold plate for a complete door sealing solution.

MATERIALS

Extruded and anodised aluminium, with nylon brush filaments.

GAP SIZE

Minimum 13mm—Maximum 25mm

SIZES

25mm brush supplied standard
 (13mm & 19mm brush available upon request)

Standard Lengths 1000mm, 2250mm
Also available in 250mm increments: 1000mm to 3000mm
Seals can be cut on-site for exact dimensions.

FINISH

- Silver anodised aluminium with black brush filaments.
- Bronze anodised aluminium with black brush filaments.

FIXING

Brush seals can be adhered to desired surface prior to screw-fixing. Fixing screws and aggressive backing tape are supplied.

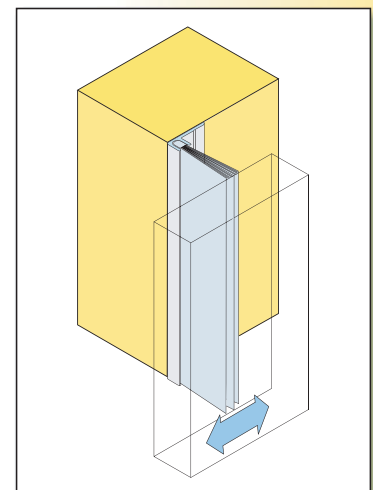
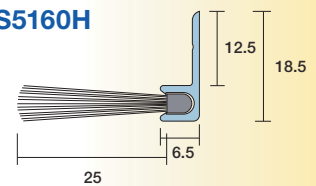
APPROVAL/S

- Independent tests demonstrating over 100,000 open and close cycles.

SPECIFICATIONS

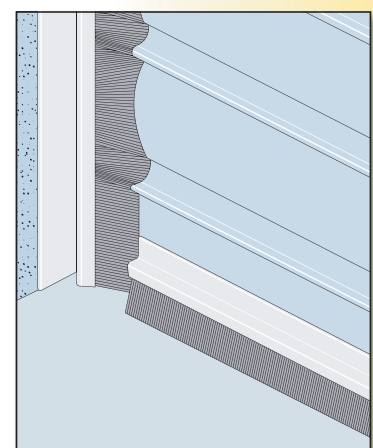
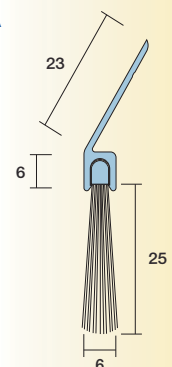
Lorient Integrity™ IS5160H fitted to the door frame/door stiles of the door leaf. Lorient Integrity™ IS5175A fitted to the perimeter of the door leaf.

IS5160H



Above: IS5160H Sliding door detail.

IS5175A



Above: IS5175A Roller-type door detail.

Lorient reserves the right to alter published data or make products obsolete without prior notice.

Please contact our office if you require any further information

Head Office Ph: (07) 3635 5000 Fax: (07) 3861 9266
Toll Free 1300 858 010
E-mail sales@lorient.com.au www.lorient.com.au

Datasheet D-029-06/09. All measurements in mm. Copyright © 2009 Lorient Australia.

