



PRODUCT CODE

IS6015

DESCRIPTION

A medium duty magnetic perimeter seal.

APPLICATION

The IS6015 magnetic seal is designed to be fitted to the head and jambs of metal-clad door perimeters in lieu of door stops.

KEY FEATURES

- Seal has sufficient magnetic strength that latches may not be required.
- Aesthetic design with decorative cover strip for concealed fixings.
- Easily installed without removing the door.
- For timber door applications, a thin metal strip can be fitted to the door face.

USE WITH

Used in conjunction with a Lorient Integrity™ 8000 series automatic door bottom seal and 4000 series threshold plate to provide a total door sealing solution.

MATERIALS

An extruded and anodised aluminium profile combined with an aesthetic cover strip and a flexible PVC gasket complete with magnet.

GAP SIZE

Minimum 0mm—Maximum 3mm

SIZES

Standard Lengths 1000mm, 2250mm
Also available in 250mm increments: 1000mm to 3000mm
Seals can be cut on-site for exact dimensions.

FINISH

- Silver anodised aluminium with grey cover strip and gasket.
- Bronze anodised aluminium with black cover strip and gasket.

FIXING

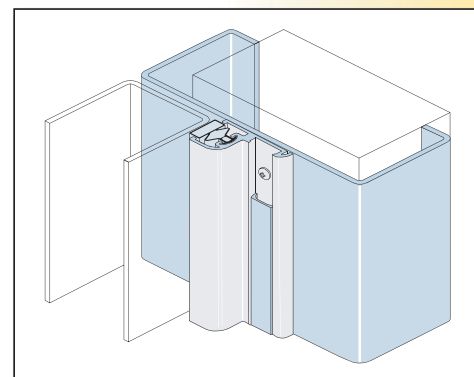
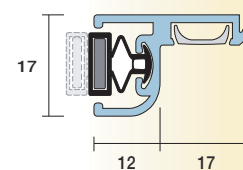
Fixing screws are supplied and fixing holes are pre-drilled and slotted to allow the seals to be adjusted and positioned accurately.

APPROVAL/S

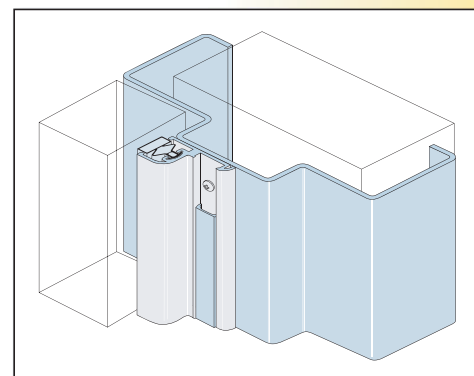
- Acoustic ratings to AS1191 and AS1276 in conjunction with other Lorient Integrity™ seals.

SPECIFICATIONS

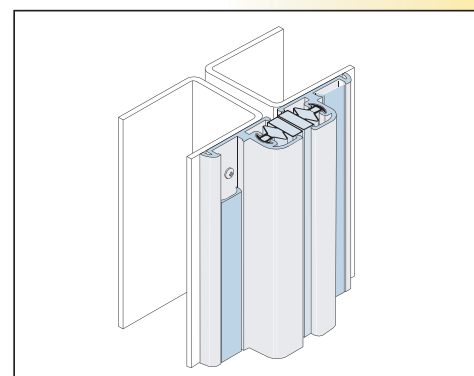
Lorient Integrity™ IS6015 fitted to the perimeter of the door.



Above: Steel frame without door stop, metal-clad door detail.



Above: Steel frame with door stop, metal-clad door detail.



Above: Metal clad door meeting stile detail.

Lorient reserves the right to alter published data or make products obsolete without prior notice.

Please contact our office if you require any further information

Head Office Ph: (07) 3635 5000 Fax: (07) 3861 9266

Toll Free 1300 858 010

E-mail sales@lorient.com.au www.lorient.com.au

Datasheet D-033-06/09. All measurements in mm. Copyright © 2009 Lorient Australia.