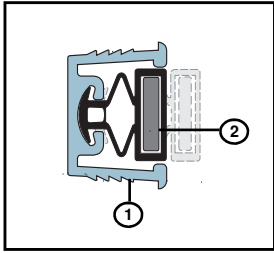


# IS6020

## Fitting Instruction

Magnetic Seal



Length:

### DESCRIPTION OF CONTENTS

- Aluminium carrier (1)
- PVC encapsulated magnet (2)
- Fitting instructions

### TOOLS REQUIRED FOR INSTALLATION

- Tape measure
- Saw (power or hand)
- Pencil or Marker
- Router (Rebated Installation)

### INSTALLATION DETAIL

Check the magnetic attraction of the IS6020 before cutting the seal to lengths required to ensure they attract and not repel.

**Note:** For efficient operation a uniform gap of 5-7mm is required between door leaves.

#### STEP 1

Remove the seal from the packaging, and measure the height of the meeting stile.

#### STEP 2

Remove the door from its hinges and using a router create a 12mm deep x 16mm wide groove in the edge of the timber door.

**NB: The seal is not suitable when centre latching is required.**

#### STEP 3

Cut the carrier, gasket and magnet to the length required—take care to neatly cut the profile with a power saw.

#### STEP 4

Insert the IS6020 into the groove (*the aluminium trough section is toothed and splayed to lock into groove—no fixings are required*).

#### STEP 5

Re-hang the door onto its hinges & ensure seal is clean.

#### STEP 6

Close the door and ensure the seal makes uniform contact with the opposite door leaf.

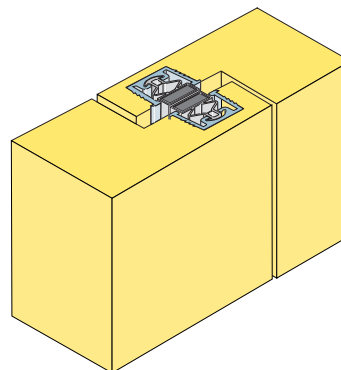
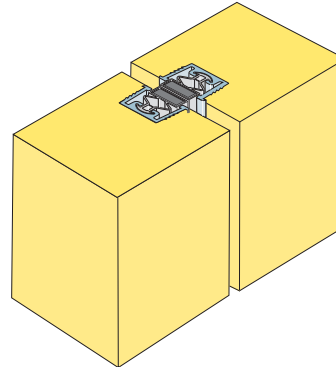
Repeat steps 1-5 to install the opposite seal.

**Note:** Initial contact of seals may take several seconds, subsequent connections are immediate.

We recommend the IS6020 seal be fitted with the Lorient Integrity™ IS8010si or IS8090si automatic door bottom seal, a 7000 series perimeter seal and a 4000 series threshold plate.

**IMPORTANT – Ensure that the installation of this product does not impede the opening or closing of the door. It is recommended to check the adjustment of the door seal periodically to ensure the door assembly to which it is fitted, closes and latches properly.**

*Periodic inspection and cleaning is recommended to fully maintain this sealing system. Normally an annual inspection is sufficient. For smoke sealing applications, refer to local regulatory authority standards.*



### OTHER INTEGRITY™ ARCHITECTURAL SEALS INCLUDE:

- |                               |                    |
|-------------------------------|--------------------|
| ■ Door Perimeter Seals        | ■ Threshold Plates |
| ■ Door Bottom Seals           | ■ Brush Seals      |
| ■ Automatic Door Bottom Seals | ■ Magnetic Seals   |

Contact your nearest Lorient office for further details.

### NOTE

*Recommendations as to methods for use of materials and construction details are based on the experience and knowledge of Lorient and are given in good faith as a general guide and service to designers, contractors and manufacturers.*

*Lorient reserves the right to make alterations or delete any installation detail without prior notice.*