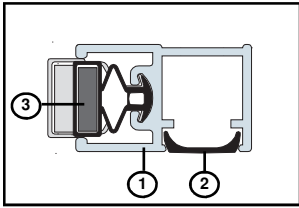


# IS6030

## Fitting Instruction

Magnetic Seal



Length:

### DESCRIPTION OF CONTENTS

- Aluminium carrier (1)
- Decorative cover strip (2)
- PVC encapsulated magnet (3)
- Fitting instructions

### TOOLS REQUIRED FOR INSTALLATION

- Tape measure
- Saw (power or hand)
- Screw driver
- 2.5mm drill bit
- Drill (power or hand)
- Knife
- Pencil or marker

### INSTALLATION DETAIL

It is not necessary to remove the door from its hinges unless otherwise specified.

#### STEP 1

Remove the seal from the packaging, and measure the height and width of the perimeter or meeting stiles.

#### STEP 2

Remove the cover strip from the aluminium carrier.

#### STEP 3

Cut the carrier, gasket and magnet to the lengths required—take care to neatly cut the profile with power saw. (Ensure the top corners are neatly butt-jointed)

**Note:** This seal may be used as a door stop.

#### STEP 4

Drill pilot holes with a 2.5mm drill bit. (if required)

#### STEP 5

Lightly screw fix lengths to jambs/door using screws supplied, (*fixing holes are pre-slotted to allow seals to be accurately fitted and adjusted as required*).

#### STEP 6

Close the door and ensure the seal is clean and makes uniform contact.

#### STEP 7

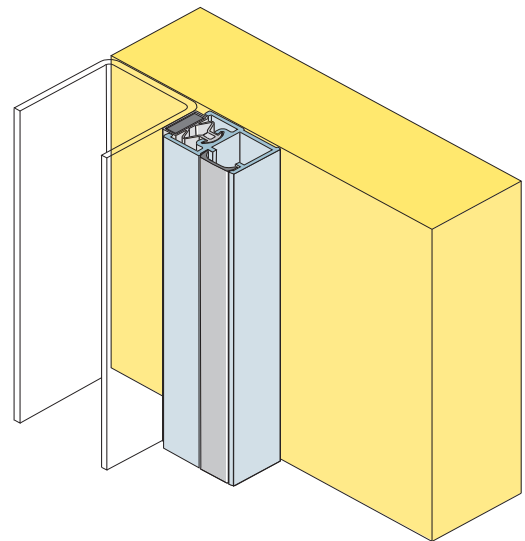
Tighten screws, cut the cover strip to length and replace.

**Note:** For timber door applications, a thin metal strip can be fitted to the door face.

We recommend the IS6030 seal be fitted with the Lorient Integrity™ IS8010si or IS8090si automatic door bottom seal and a 4000 series threshold plate.

**IMPORTANT – Ensure that the installation of this product does not impede the opening or closing of the door. It is recommended to check the adjustment of the door seal periodically to ensure the door assembly to which it is fitted, closes and latches properly.**

*Periodic inspection and cleaning is recommended to fully maintain this sealing system. Normally an annual inspection is sufficient. For smoke sealing applications, refer to local regulatory authority standards.*



### NOTE

*Recommendations as to methods for use of materials and construction details are based on the experience and knowledge of Lorient and are given in good faith as a general guide and service to designers, contractors and manufacturers.*

*Lorient reserves the right to make alterations or delete any installation detail without prior notice.*

### OTHER INTEGRITY™ ARCHITECTURAL SEALS INCLUDE:

- |                               |                    |
|-------------------------------|--------------------|
| ■ Door Perimeter Seals        | ■ Threshold Plates |
| ■ Door Bottom Seals           | ■ Brush Seals      |
| ■ Automatic Door Bottom Seals | ■ Magnetic Seals   |

Contact your nearest Lorient office for further details.

**AUSTRALIA**  
Lorient Australia  
Tel 1300 858 010

**ASIA PACIFIC**  
Lorient Pacific Limited Hong Kong  
Tel: (+852) 2505 0328

**EUROPE**  
Lorient Polyproducts Ltd UK  
Tel: (+44) 1626 834252

**MIDDLE EAST**  
Lorient Middle East Building  
Materials Trading LLC Dubai  
Tel (+971) 4267 4339  
Fax (+971) 4267 5339