



## PRODUCT CODE

**IS6030**

## DESCRIPTION

A medium duty magnetic perimeter seal.

## APPLICATION

The IS6030 magnetic seal is designed to be fitted to the head and jambs of metal clad door perimeters in lieu of door stops.

## KEY FEATURES

- Seal has sufficient magnetic strength that latches may not be required.
- Concealed fixings.
- Easily installed without removing the door.
- For timber door applications, a thin metal strip can be fitted to the door face.

## USE WITH

Used in conjunction with a Lorient Integrity™ 8000 series automatic door bottom seal and a 4000 series threshold plate to provide a total door sealing solution.

## MATERIALS

An extruded and anodised aluminium profile, combined with an aesthetic cover strip and a flexible gasket, complete with magnet.

## GAP SIZE

Minimum 0mm - Maximum 4mm

## SIZES

### Door Sets

Single	1 x 1000mm, 2 x 2100mm
Long Single	1 x 1000mm, 2 x 2750mm
Double	3 x 2100mm
Long Double	1 x 2100mm, 2 x 2750mm

### Standard Lengths

1000mm, 2250mm

### Also available in

250mm increments: 1000mm to 3000mm  
Seals can be cut on-site for exact dimensions.

## FINISH

- Silver anodised aluminium with grey cover strip and gasket.
- Bronze anodised with black cover strip and gasket.

## FIXING

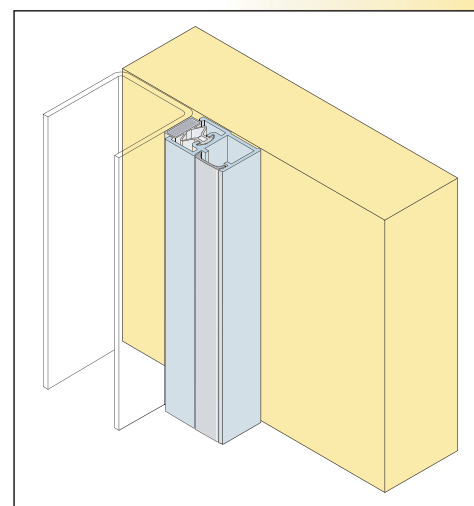
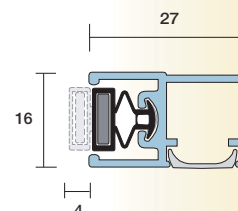
Fixing screws are supplied and fixing holes are pre-drilled and slotted to allow the seals to be adjusted and positioned accurately.

## APPROVAL/S

- Acoustic ratings to AS1191 and AS1276 in conjunction with other Lorient Integrity™ seals.

## SPECIFICATIONS

Lorient Integrity™ IS6030 fitted to the perimeter of the door.



IS6030 fitted to a timber frame with a metal clad door.