

PRODUCT CODE

IS7010si & IS7020si

DESCRIPTION

Medium duty door perimeter seal.

APPLICATION

The IS7010si and the IS7020si are aesthetically designed, slim-line compression-type perimeter seals for installation around the head and jambs of single swing doors. They are proven to be effective acoustic, cold smoke, light, dust and weather seals.

KEY FEATURES

- IS7010si suitable for rebated door frames.
IS7020si suitable for plain and rebated door frames.
- Slim-line, aesthetic design.
- Silicone bubble seal compensates for warped or unevenly hung doors.
- Pre-drilled and slotted for adjustable installation.
- Compression seal reduces sound and air leakage.
- Easy to install "snap-on" anodised aluminium cover plate for concealed fixings.
- Easily installed without removing the door.
- Suitable for use on steel and timber door frames.

USE WITH

Used in conjunction with a Lorient Integrity™ 8000 series automatic door bottom seal and a 4000 series threshold plate to provide a total door sealing solution.

MATERIALS

An extruded and anodised aluminium profile combined with an anodised aluminium cover plate and a flexible silicone gasket.

GAP SIZE

Minimum 0mm — Maximum 6mm

SIZES

Door Sets

Single	1 x 1000mm, 2 x 2100mm
Long Single	1 x 1000mm, 2 x 2750mm
Double	3 x 2100mm
Long Double	1 x 2100mm, 2 x 2750mm

Standard Lengths 1000mm, 2250mm

Also available in 250mm increments: 1000mm to 5000mm
Seals can be cut on-site for exact dimensions.

FINISH

- Silver anodised aluminium with grey silicone gasket.
- Bronze anodised aluminium with black silicone gasket.

FIXING

- Self-drilling metal and timber fixing screws are supplied. Fixing holes are pre-drilled and slotted to allow the seals to be adjusted and positioned accurately. A tamper proof cover plate is supplied to conceal fixings.

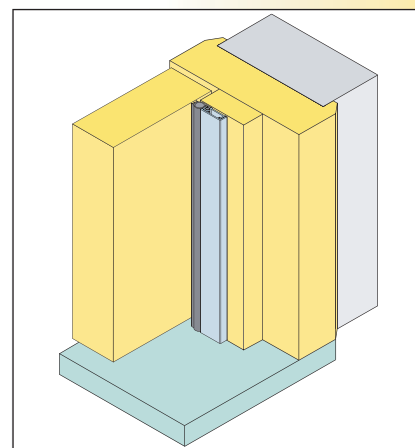
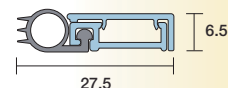
SPECIFICATIONS

Lorient Integrity™ IS7010si/IS7020si fitted to the perimeter of the door frame.

Note: For fixing to rebated frames of single doors, specify a long back set door latch.

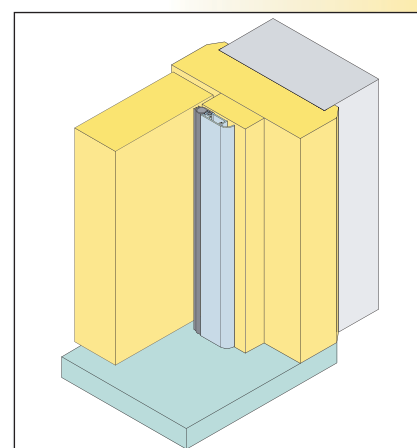


IS7010si



Above: IS7010si fitted to timber frame.

IS7020si



Above: IS7020si fitted to timber frame.

APPROVAL/S

- AS1530/4 fire tests with proprietary fire door assemblies.
- Acoustic ratings to AS1191 and AS1276 in conjunction with other Lorient Integrity™ seals.