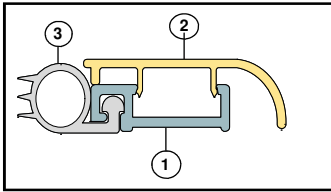


IS7021si

Fitting Instruction

Perimeter Seal



Length:

DESCRIPTION OF CONTENTS

- Aluminium carrier (1)
- Decorative plastic cover (2)
- Silicone rubber gasket(3)
- Bag of screws
- Fitting instructions

TOOLS REQUIRED FOR INSTALLATION

- Tape measure
- Saw (power or hand)
- Screw driver
- 2.5mm drill bit
- Drill (power or hand)
- Knife
- Pencil or Marker

INSTALLATION DETAIL

It is not necessary to remove the door from its hinges unless otherwise specified. The IS7021si is designed to be mitre-jointed at the corners.

STEP 1

Remove the seal from the packaging and measure the existing head (top) and jambs (sides) of the door frame to determine the seal lengths required, allowing for corner joints.

STEP 2

Pull back silicone gasket and cut the aluminium carrier and decorative cover plate to the lengths required.

STEP 3

Slide silicone gasket back into position and cut to required lengths.

STEP 4

Position the seals to the head and jambs of the door frame and mark out the slotted hole locations with a pencil. (Ensure the top corners are neatly mitre-jointed).

STEP 5

Drill pilot holes with a 2.5mm drill bit (if required).

STEP 6

Lightly screw-fix each length to the head then the jambs through the centre of the slotted holes with the screws supplied. (Fixing holes are pre-slotted to enable the seal to be accurately adjusted as required).

STEP 7

Close the door and check for a uniform seal around the door by inserting this sheet of paper between the seal and the door face. Resistance should be firm at all points.

STEP 8

Tighten the screws and snap on the decorative cover plate.

INSTALLATION TIPS

- Corner joints of the aluminium carrier may be slightly crimped or punched to prevent the flexible gasket from moving.
- If used in conjunction with a face fixed threshold seal, the perimeter seal must be fitted to the door frame first.

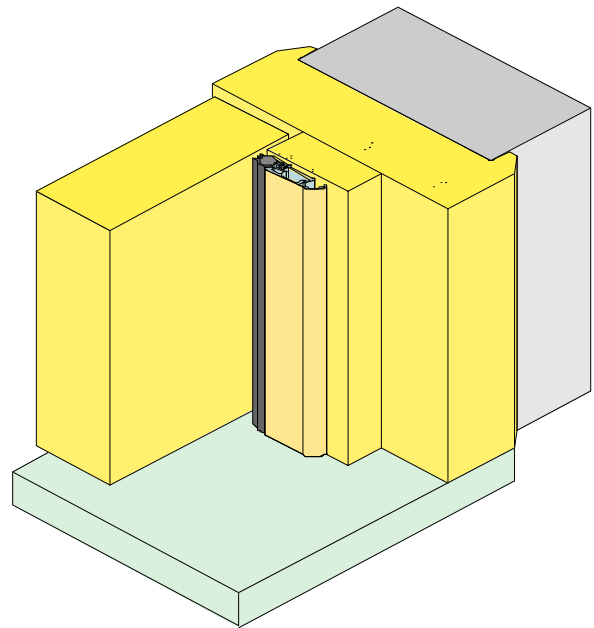
We recommend the IS7021si perimeter seal be fitted with the Lorient Integrity™ IS8010si or IS8090si automatic door bottom seal.

IMPORTANT – Ensure that the installation of this product does not impede the opening or closing of the door. It is recommended to check the adjustment of the door seal periodically to ensure the door assembly to which it is fitted, closes and latches properly.

NOTE

Recommendations as to methods for use of materials and construction details are based on the experience and knowledge of Lorient and are given in good faith as a general guide and service to designers, contractors and manufacturers.

Lorient reserves the right to make alterations or delete any installation detail without prior notice.



OTHER INTEGRITY™ ARCHITECTURAL SEALS INCLUDE:

- Door Perimeter Seals
- Door Bottom Seals
- Automatic Door Bottom Seals
- Threshold Plates
- Brush Seals
- Magnetic Seals

Contact your nearest Lorient office for further details.

AUSTRALIA
Lorient Australia
Tel 1300 858 010

ASIA PACIFIC
Lorient Pacific Limited Hong Kong
Tel: (+852) 2505 0328

EUROPE
Lorient Polyproducts Ltd UK
Tel: (+44) 1626 834252

MIDDLE EAST
Lorient Middle East Building
Materials Trading LLC Dubai
Tel (+971) 4267 4339
Fax (+971) 4267 5339