



PRODUCT CODE

IS7021si

DESCRIPTION

Door perimeter seal with architectural, coloured PVC cover plate.

APPLICATION

The IS7021si is an aesthetically designed, slim-line compression type perimeter seal for installation around the head and jambs of single swing doors. It is proven to be an effective acoustic, smoke, light, dust and weather seal.

KEY FEATURES

- Slim-line, aesthetic design.
- Easy to install "snap-on" coloured PVC cover plate for concealed fixings and ARCHITECTURAL, coordinated appearance.
- Pre-drilled and slotted for adjustable installation.
- Compression seal reduces sound and air leakage.
- Easily installed without removing the door.
- Suitable for use on steel and timber door frames.

USE WITH

Used in conjunction with a Lorient Integrity™ IS8036si automatic door bottom seal and a 4000 series threshold plate to provide a total door sealing solution.

MATERIALS

An extruded and anodised aluminium profile combined with an aesthetic, colour-coordinated cover plate and a flexible silicone gasket.

GAP SIZE

Minimum 0mm — Maximum 6mm

SIZES

Door Sets

Single	1 x 1000mm, 2 x 2100mm
Long Single	1 x 1000mm, 2 x 2750mm
Double	3 x 2100mm
Long Double	1 x 2100mm, 2 x 2750mm

Standard Lengths 1000mm, 2250mm

Also available in 250mm increments: 1000mm to 3000mm

FINISH

- Silver anodised aluminium with grey silicone gasket.
- Bronze anodised aluminium with black silicone gasket.
- Architectural, colour-coordinated, snap-on cover plates available in silver, white, black or cream colour.

FIXING

Self-drilling metal and timber fixing screws are supplied. Fixing holes are pre-drilled and slotted to allow the seals to be adjusted and positioned accurately. A tamper proof, PVC cover plate is supplied to conceal fixings.

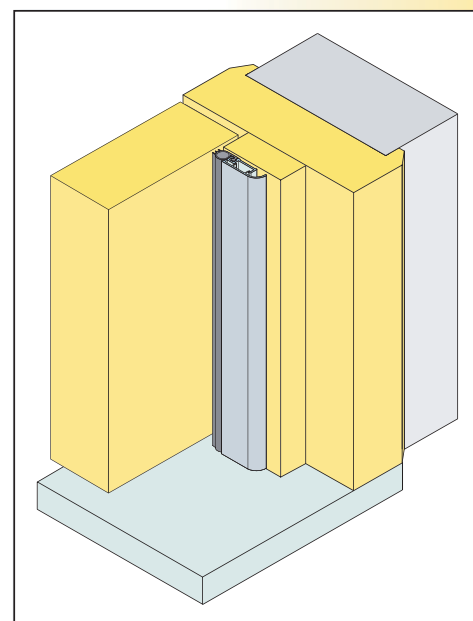
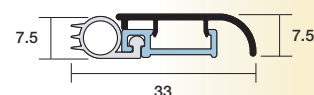
SPECIFICATIONS

Lorient Integrity™ IS7021si fitted to the perimeter of the door frame.

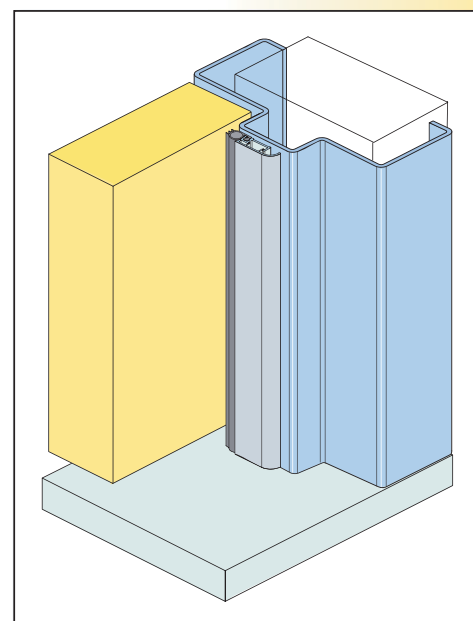
Note: For fixing to rebated frames of single doors, specify a long back set door latch.

APPROVAL/S

- Acoustic ratings to AS1191 and AS1276 in conjunction with other Lorient Integrity™ seals.



Above: IS7021si fitted to a timber frame.



Above: IS7021si fitted to a steel frame.