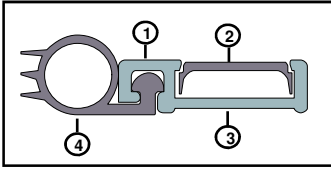


# IS7025si

## Fitting Instruction

Perimeter Seal



Length:

### DESCRIPTION OF CONTENTS

- Aluminium carrier (1)
- Decorative cover strip (2)
- Pre-slotted holes (3)
- Silicone rubber gasket (4)
- Bag of screws
- Fitting instructions

### TOOLS REQUIRED FOR INSTALLATION

- Tape measure
- Saw (power or hand)
- Screw driver
- 2.5mm drill bit
- Drill (power or hand)
- Knife
- Pencil or Marker

### INSTALLATION DETAIL

It is not necessary to remove the door from its hinges unless otherwise specified.

#### STEP 1

Remove the seal from the packaging and measure the existing head (top) and jambs (sides) of the door frame to determine the seal lengths required.

#### STEP 2

Remove the decorative cover strip from the aluminium carriers.

#### STEP 3

Pull back silicone gasket and cut the aluminium carriers to the lengths required, allowing for corner joints.

#### STEP 4

Cut the decorative cover strip to the lengths required.

#### STEP 5

Slide silicone gasket back into position and cut to required length.

#### STEP 6

Position the seals to the door stops along the top and sides of the door frame and mark out the slotted hole locations with a pencil. (Ensure the top corners are neatly butt-jointed).

#### STEP 7

Lightly screw-fix each length to the door stops through the slotted holes with the screws supplied. (Fixing holes are pre-slotted to enable the seal to be accurately adjusted as required).

#### STEP 8

Close the door and check for a uniform seal around the door by inserting this sheet of paper between the seal and the door face. Resistance should be firm at all points.

#### STEP 9

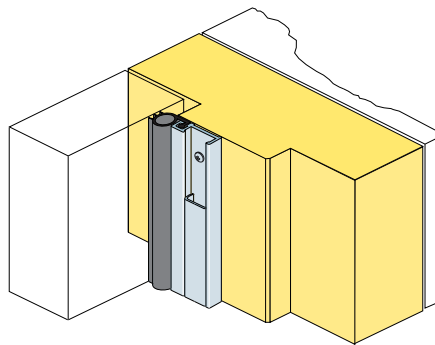
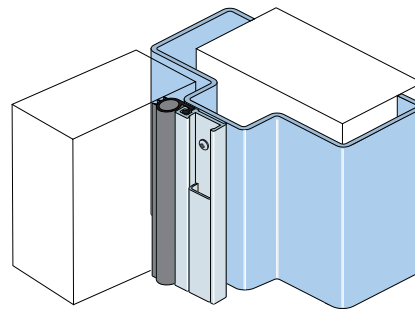
Tighten the screws and replace the decorative cover strip.

### Installation Tips

- If used in conjunction with a face fixed threshold seal, the perimeter seal must be fitted to the door frame first.
- Should circumstances require that the cover strip be removed, drill a small hole at the bottom of the cover strip and pull with a wire hook or suitable tool.

We recommend the IS7025si perimeter seal be fitted with the Lorient Integrity™ IS8010si or IS8090si automatic door bottom seal.

**IMPORTANT** – Ensure that the installation of this product does not impede the opening or closing of the door. It is recommended to check the adjustment of the door seal periodically to ensure the door assembly to which it is fitted, closes and latches properly.



### NOTE

*Recommendations as to methods for use of materials and construction details are based on the experience and knowledge of Lorient and are given in good faith as a general guide and service to designers, contractors and manufacturers.*

*Lorient reserves the right to make alterations or delete any installation detail without prior notice.*

### OTHER INTEGRITY™ ARCHITECTURAL SEALS INCLUDE:

- |                               |                    |
|-------------------------------|--------------------|
| ■ Door Perimeter Seals        | ■ Threshold Plates |
| ■ Door Bottom Seals           | ■ Brush Seals      |
| ■ Automatic Door Bottom Seals | ■ Magnetic Seals   |

Contact your nearest Lorient office for further details.

**AUSTRALIA**  
Lorient Australia  
Tel 1300 858 010

**ASIA PACIFIC**  
Lorient Pacific Limited Hong Kong  
Tel: (+852) 2505 0328

**EUROPE**  
Lorient Polyproducts Ltd UK  
Tel: (+44) 1626 834252

**MIDDLE EAST**  
Lorient Middle East Building  
Materials Trading LLC Dubai  
Tel (+971) 4267 4339  
Fax (+971) 4267 5339