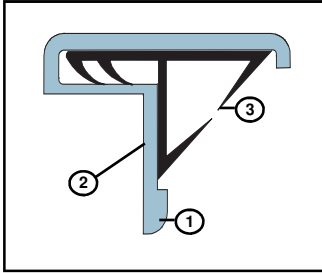


IS7061

Fitting Instruction

Meeting Stile Seal



Length: _____

DESCRIPTION OF CONTENTS

- Aluminium carrier (1)
- Pre-drilled, countersunk fixing holes (2)
- Push-fit gasket (3)
- Bag of screws
- Fitting instruction

TOOLS REQUIRED FOR INSTALLATION

- Tape measure
- Saw (power or hand)
- Screw driver
- 2.5mm drill bit
- Drill (power or hand)
- Knife
- Pencil or Marker
- Router (Rebated Installation)

FACE FIXED INSTALLATION DETAIL

It is not necessary to remove the door from its hinges unless otherwise specified.

STEP 1

Remove the seal from the packaging and measure the height of the meeting stile.

STEP 2

Cut the aluminium carrier to required length.

STEP 3

Cut the semi-rigid gasket to the required length.

STEP 4

Determine the door handing and position the carrier against the appropriate meeting stile and mark out the hole locations with a pencil.

STEP 5

Drill pilot holes with a 2.5mm drill bit (if required).

STEP 6

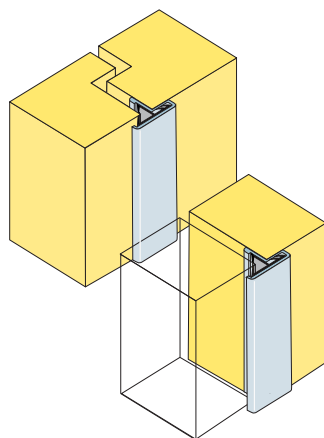
Screw fix the aluminium carrier length to the meeting stile using the screws supplied.

STEP 7

Press the gasket into the aluminium carrier (as illustrated). There are no fixings here, it is a simple interference fit.

STEP 8

Close the door and ensure the seal makes uniform contact with the opposite door leaf.



REBATED INSTALLATION DETAIL

STEP A

Determine the door handing and remove the door leaf to which the seal is to be fitted.

STEP B

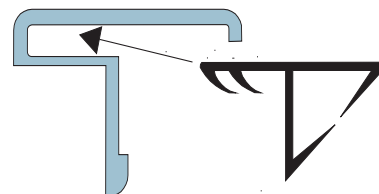
Using a router, rebate a 13.5mm wide x 1.5mm deep groove to the stile.

STEP C

Re-hang the door and follow fitting instruction steps 1 to 8 of the "Face-fixed to Meeting Stiles".

We recommend the IS7061 seal be fitted with Lorient Integrity™ 7000 series perimeter seal and an 8000 series automatic door bottom seal.

IMPORTANT – Ensure that the installation of this product does not impede the opening or closing of the door. It is recommended to check the adjustment of the door seal periodically to ensure the door assembly to which it is fitted, closes and latches properly.



Interference fit

OTHER INTEGRITY™ ARCHITECTURAL SEALS INCLUDE:

- | | |
|-------------------------------|--------------------|
| ■ Door Perimeter Seals | ■ Threshold Plates |
| ■ Door Bottom Seals | ■ Brush Seals |
| ■ Automatic Door Bottom Seals | ■ Magnetic Seals |

Contact your nearest Lorient office for further details.

AUSTRALIA
Lorient Australia
Tel 1300 858 010

ASIA PACIFIC
Lorient Pacific Limited Hong Kong
Tel: (+852) 2505 0328

EUROPE
Lorient Polyproducts Ltd UK
Tel: (+44) 1626 834252

MIDDLE EAST
Lorient Middle East Building
Materials Trading LLC Dubai
Tel (+971) 4267 4339
Fax (+971) 4267 5339