

PRODUCT CODE
IS7061

DESCRIPTION

Medium duty smoke and acoustic door meeting stile seal, incorporating 'Batwing®-on-a-stick'.

APPLICATION

An astragal seal used with either plain or rebated meeting stiles on double doors where only one door leaf is active. It provides an excellent acoustic, smoke, light, dust and weather seal.

KEY FEATURES

- Slim line fixing leg allows this seal to be face-fixed to the door (no rebating required).
- Provides an aesthetic appearance when doors are closed as the aluminium profile conceals the sealing gasket.
- 'Batwing®' seal provides proven smoke performance, sealing on two faces of the door surface.
- Testing shows outstanding acoustic performance.

USE WITH

We recommend the IS7061 meeting stile seal be fitted with a Lorient Integrity™ 7000 series perimeter seal and an 8000 series automatic door bottom seal, for a total door sealing solution.

MATERIALS

An extruded and anodised aluminium profile housing a semi-rigid, flame retardant PVC carrier with twin elastomeric sealing blades.

GAP SIZE

Minimum 2.5mm - Maximum 8.0mm

SIZES

Standard Lengths 2250mm, 3000mm
Also available in 250mm increments: 2000mm to 3500mm
Seals can be cut on-site for exact dimensions.

FINISH

- Silver anodised aluminium with black sealing blades
- Bronze anodised aluminium with black sealing blades.

FIXING

Fixing screws are supplied. Fixing holes are pre-drilled and countersunk. This seal can be face-fixed and no rebating is necessary.

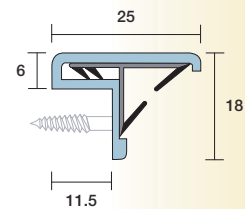
If required, the leg of the aluminium profile can be cut away to make way for locks and latches.

APPROVAL/S

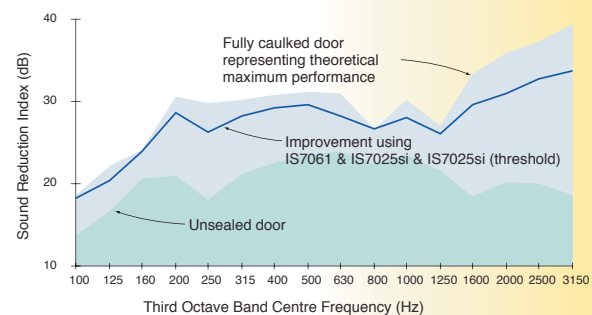
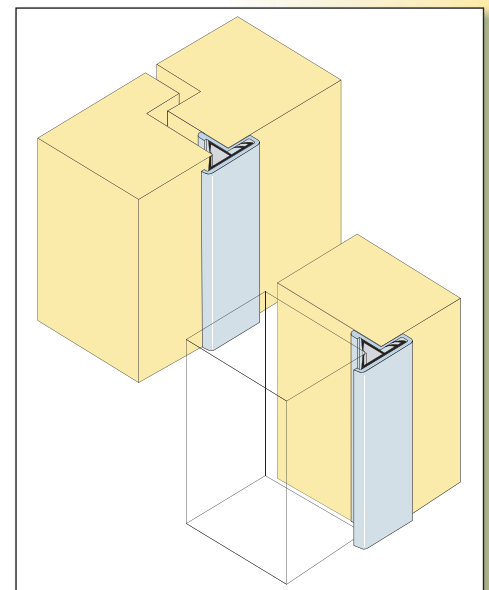
- Can be considered deemed to satisfy to BCA specification C3.4 for use with smoke doors
- AS1530/7 air (smoke) leakage rates available at ambient and medium temperature at various pressures.
- Acoustic ratings to AS1191 and AS1276 in conjunction with other Lorient Integrity™ seals.
- Independent tests have been conducted, demonstrating over 1,000,000 open and close cycles without significant wear.

SPECIFICATIONS

Lorient Integrity™ IS7061 fitted to the meeting stile of the door.



Above: Diagram showing simple interference fit.



Lorient reserves the right to alter published data or make products obsolete without prior notice.

Please contact our office if you require any further information

Head Office Ph: (07) 3635 5000 Fax: (07) 3861 9266
Toll Free 1300 858 010
E-mail sales@lorient.com.au www.lorient.com.au

Datasheet D-021-06/09. All measurements in mm. Copyright © 2009 Lorient Australia.

