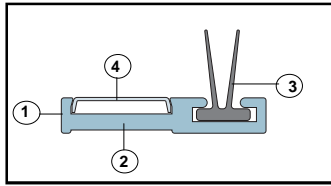




IS7070si

Fitting Instruction

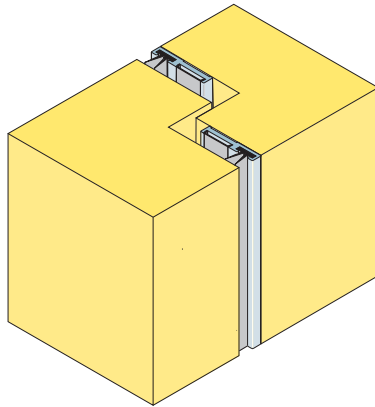
Meeting Stile Seal



Length

FACE FIXED INSTALLATION DETAIL

It is not necessary to remove the door from its hinges unless otherwise specified.



STEP 1

Remove the seal from the packaging and measure the height of the meeting stile.

STEP 2

Cut the aluminium carrier to required length.

STEP 3

Cut the gasket to the required length.

STEP 4

Position the carrier against the meeting stile and mark out the hole locations with a pencil.

STEP 5

Drill pilot holes with a 2.0mm drill bit (if required).

STEP 6

Screw fix the aluminium carrier length to the meeting stile using the screws supplied.

STEP 7

Slide the gasket into the aluminium carrier and press fit the cover strip to hide the screw.

STEP 8

Centre punch top corners of aluminium channel to prevent the gasket from 'creeping'.

STEP 9

Close the door and ensure the seal makes uniform contact with the opposite door leaf.

REBATED INSTALLATION DETAIL

STEP A

Remove the active door leaf (the door leaf which opens first) from its hinges.

STEP B

Using a router, rebate a 16mm wide x 3mm deep groove to the stile of the active leaf.

STEP C

Re-hang the door and follow fitting instruction steps 1 to 9 of the "Face-fixed to Meeting Stiles".

We recommend the IS7070si seal be fitted with a Lorient Integrity™ 7000 series perimeter seal and an 8000 series automatic door bottom seal.

IMPORTANT – Ensure that the installation of this product does not impede the opening or closing of the door. It is recommended to check the adjustment of the door seal periodically to ensure the door assembly to which it is fitted, closes and latches properly.

The seal may be removed for periodic cleaning or replacement of a worn gasket, without removing the door from its frame.

OTHER INTEGRITY™ ARCHITECTURAL SEALS INCLUDE:

- Door Perimeter Seals
- Door Bottom Seals
- Automatic Door Bottom Seals
- Threshold Plates
- Brush Seals
- Magnetic Seals

Contact your nearest Lorient office for further details.

NOTE

Recommendations as to methods for use of materials and construction details are based on the experience and knowledge of Lorient and are given in good faith as a general guide and service to designers, contractors and manufacturers.

Lorient reserves the right to make alterations or delete any installation detail without prior notice.

DESCRIPTION OF CONTENTS

- Aluminium carrier (1)
- Pre-drilled, countersunk fixing holes (2)
- Twin fin gasket (3)
- Cover strip
- Bag of screws
- Fitting instruction

TOOLS REQUIRED FOR INSTALLATION

- Tape measure
- Saw (power or hand)
- Screw driver
- 2.0mm drill bit
- Drill (power or hand)
- Knife
- Pencil or marker
- Router (Rebated Installation)



<p>AUSTRALIA Lorient Australia Tel 1300 858 010</p> <p>ASIA PACIFIC Lorient Pacific Limited Hong Kong Tel: (+852) 2505 0328</p> <p>EUROPE Lorient Polyproducts Ltd UK Tel: (+44) 1626 834252</p> <p>MIDDLE EAST Lorient Middle East Building Materials Trading LLC Dubai Tel (+971) 4267 4339 Fax (+971) 4267 5339</p>
--