



PRODUCT CODE

IS7080 & IS7080si

DESCRIPTION

Medium duty door perimeter seal.

APPLICATION

The IS7080 is an aesthetically designed, compact perimeter seal, proven to be an effective acoustic, cold smoke, light and weather seal.

KEY FEATURES

- Compact aesthetic design.
- Pre-drilled and slotted fixing holes provide for adjustable installation.
- Triple-finned seal, reduces sound and air leakage.
- Easy to install flexible cover strip for concealed fixings.
- Available in silicone (si) gasket for fire & smoke applications.
- Easily installed without removing the door.
- Installed in lieu of a door stop on both steel and timber door frames.

USE WITH

We recommend the IS7080 or IS7080si perimeter seal be fitted with a Lorient Integrity™ 8000 series automatic door bottom seal.

MATERIALS

An extruded and anodised aluminium profile combined with a cover strip and a thermoplastic rubber or silicone flexible gasket.

GAP SIZE

Minimum 0mm - Maximum 10mm

SIZES

Door Sets

Single:	1 x 1000mm, 2 x 2100mm
Long Single:	1 x 1000mm, 2 x 2750mm
Double:	3 x 2100mm
Long Double:	1 x 2100mm, 2 x 2750mm

Standard Lengths	1000mm, 2250mm
Also available in	250mm increments: 1000mm to 5000mm

FINISH

- Silver anodised aluminium with black TPR gasket and grey cover strip.
- Bronze anodised aluminium with black TPR gasket and black cover strip.
- Silver anodised aluminium with grey silicone gasket and grey cover strip (IS7080si only).
- Bronze anodised aluminium with black silicone gasket and black cover strip (IS7080si only).

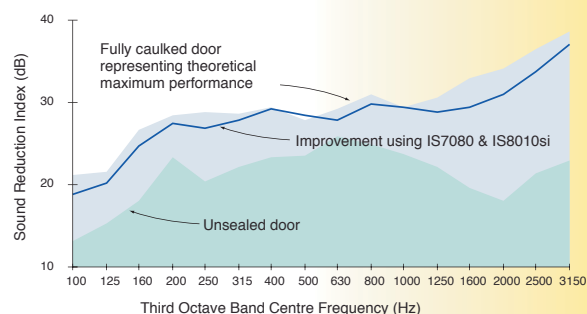
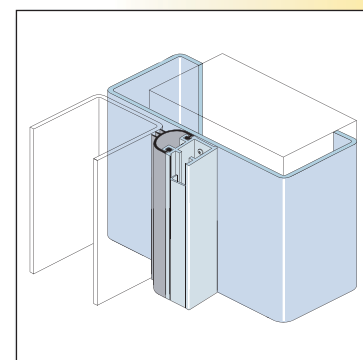
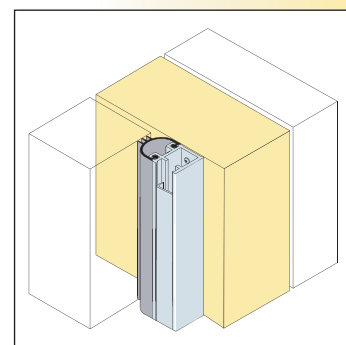
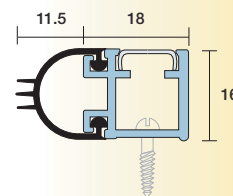
FIXING

Self-drilling metal and timber fixing screws are supplied. Fixing holes are pre-drilled and slotted to allow the seals to be adjusted and positioned accurately. A decorative cover strip is supplied to conceal fixings. This seal should be butt-jointed at the corners.

Note: For fixing to rebated frames of single doors, specify a long back set door latch.

SPECIFICATIONS

Lorient Integrity™ IS7080/IS7080si fitted to the perimeter of the door frame.



APPROVAL/S

- AS1530/4 fire tests with proprietary fire door assemblies for 'si' version.
- Acoustic ratings to AS1191 and AS1276 in conjunction with other Lorient Integrity™ seals.