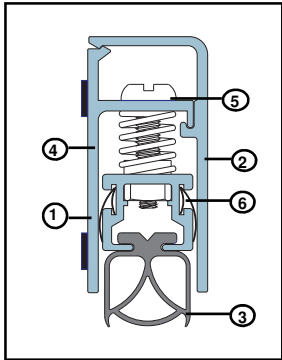


IS7090si

Fitting Instruction

Perimeter Seal



Length:

DESCRIPTION OF CONTENTS

- Aluminium carrier (1)
- Decorative cover plate (2)
- Silicone rubber gasket (3)
- Pre-drilled and countersunk holes (4)
- Adjusting screw (5)
- Smoke fins (6)
- Bag of screws
- Fitting instruction

TOOLS REQUIRED FOR INSTALLATION

- Tape measure
- Saw (power or hand)
- Screw driver
- Wide flat bladed tool
- 2.5mm drill bit
- Drill (power or hand)
- Knife
- Pencil or Marker

INSTALLATION DETAIL

It is not necessary to remove the door from its hinges unless otherwise specified. The IS7090si is designed to be butt-jointed at the corners.

STEP 1

Remove the seal from the packaging and measure the existing head (top) and jambs (sides) of the door frame to determine the seal lengths required, allowing for corner joints.

STEP 2

Pull back silicone gasket and cut the aluminium carriers to the lengths required.

STEP 3

Cut the decorative aluminium cover plates to the lengths required.

STEP 4

Slide silicone gasket back into position and cut to required lengths.

STEP 5

Position the seals to the head and jambs of the door frame and mark out the hole locations with a pencil. (Ensure the top corners are neatly butt-jointed).

STEP 6

Drill pilot holes into frame with a 2.5mm drill bit (if required).

STEP 7

Lightly screw-fix each length to the head and jambs through the pre-drilled holes with the screws supplied.

STEP 8

For manual adjustment, turn the adjusting screws clockwise to decrease seal pressure or anti-clockwise to increase seal pressure on the door face.

STEP 9

Close the door and check for a uniform seal around the door by inserting this sheet of paper between the seal and the door face. Resistance should be firm at all points.

STEP 10

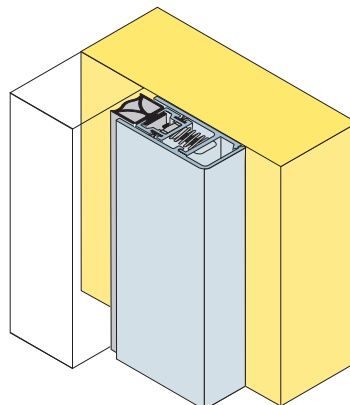
Tighten the screws and replace the decorative aluminium cover plates. (This is achieved by hooking the cover plate onto the end of the carrier and snapping into position with the palm of your hand).

Installation Tips

- If used in conjunction with a face fixed threshold seal, the perimeter seal must be fitted to the door frame first.
- If used in conjunction with a face fixed threshold seal, the perimeter seal must be fitted to the door frame first.
- Should circumstances require that the decorative cover strip be removed, use a wide flat-bladed tool to lever cover plate away.

We recommend the IS7090si perimeter seal be fitted with the Lorient Integrity™ IS8010si or IS8090si automatic door bottom seal.

IMPORTANT – Ensure that the installation of this product does not impede the opening or closing of the door. It is recommended to check the adjustment of the door seal periodically to ensure the door assembly to which it is fitted, closes and latches properly.



OTHER INTEGRITY™ ARCHITECTURAL SEALS INCLUDE:

- | | |
|-------------------------------|--------------------|
| ■ Door Perimeter Seals | ■ Threshold Plates |
| ■ Door Bottom Seals | ■ Brush Seals |
| ■ Automatic Door Bottom Seals | ■ Magnetic Seals |

Contact your nearest Lorient office for further details.