


PRODUCT CODE
IS7090si
DESCRIPTION

Heavy duty adjustable door perimeter seal.

APPLICATION

The IS7090si self-adjusting and adjustable perimeter seal is designed for high performance acoustic applications and is fitted to the head and jambs of door perimeters in lieu of door stops.

KEY FEATURES

- Unique spring loaded mechanism, automatically self-adjusts to cater for movement or uneven doors.
- Mechanically adjustable to ensure the desired seal is maintained.
- Fixings concealed behind aesthetic aluminium cover plate.
- High performance, multi-chambered silicone gasket is supplied as standard, providing the highest acoustic, fire and smoke performance.
- Durable elastomer fins are incorporated within the gasket housing to provide additional smoke and acoustic sealing properties.
- Easily installed without removing the door.

USE WITH

Used in conjunction with a Lorient™ Integrity IS8090si automatic door bottom seal and a 4000 series threshold plate to provide a total door sealing solution.

MATERIALS

An extruded and anodised aluminium profile, aluminium cover plate, combined with a silicone flexible gasket.

GAP SIZE

Minimum 0mm—Maximum 8mm

SIZES
Door Sets

Single	1 x 1000mm, 2 x 2100mm
Long Single	1 x 1000mm, 2 x 2750mm
Double	3 x 2100mm
Long Double	1 x 2100mm, 2 x 2750mm

Standard Lengths 1000mm, 2250mm

Also available in 250mm increments: 1000mm to 5000mm
Seals can be cut on-site for exact dimensions.

FINISH

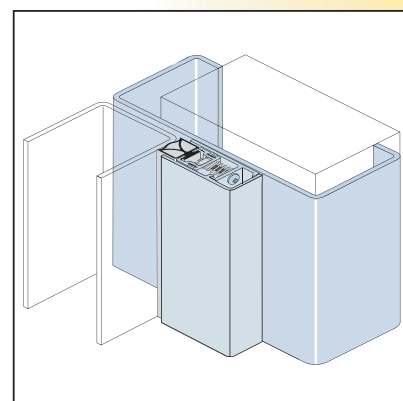
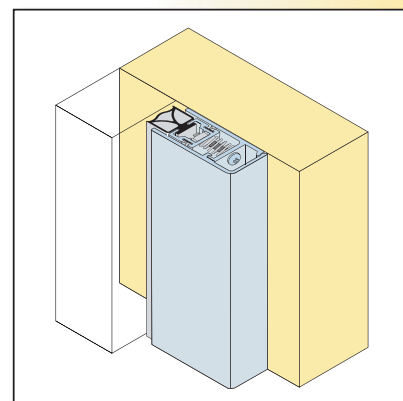
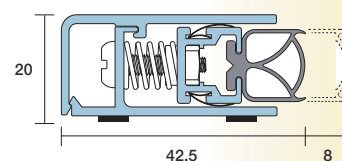
- Silver anodised aluminium with high performance grey silicone gasket
- Bronze anodised aluminium with high performance black silicone gasket

FIXING

Fixing screws are supplied. Anodised aluminium cover plate simply clips onto main carrier to conceal fixings.

APPROVAL/S

- AS1530/4 fire tests with proprietary fire door assemblies.
- Acoustic ratings to AS1191 and AS1276 in conjunction with an IS8090si Integrity™ seal.
- Tests have been conducted, demonstrating over 1,000,000 open and close cycles, without significant wear.


SPECIFICATIONS

Lorient Integrity™ IS7090si fitted to the perimeter of the door and an IS8090si fitted to the door bottom.

Nb: For fixing to rebated frames of single doors, specify a long back set door latch.