

PRODUCT CODE

IS7110si

DESCRIPTION

Medium duty door perimeter seal.

APPLICATION

The IS7110si door frame perimeter seal is designed to be fitted to an existing door stop, around the head and jambs of single swing doors.

KEY FEATURES

- Slim-line, aesthetic design.
- Pre-drilled and slotted fixing holes provide for adjustable installation.
- Bubble type compression seal provides reduced sound and air leakage.
- Easy to install, flexible cover strip for concealed fixings.
- Excellent clean room seal—gasket has no dust pockets.
- Easily installed without removing the door.
- Suitable for use on steel and timber door frames.

USE WITH

Used in conjunction with a Lorient Integrity™ 8000 series automatic door bottom seal and a 4000 series threshold plate to provide a total door sealing solution.

MATERIALS

An extruded and anodised aluminium profile combined with a cover strip and a silicone rubber flexible gasket.

GAP SIZE

Minimum 0mm - Maximum 7mm

SIZES

Door Sets

Single	1 x 1000mm, 2 x 2100mm
Long Single	1 x 1000mm, 2 x 2750mm
Double	3 x 2100mm
Long Double	1 x 2100mm, 2 x 2750mm

Standard Lengths 1000mm, 2250mm

Also available in 250mm increments: 1000mm to 5000mm

FINISH

- Silver anodised aluminium with grey silicone gasket and grey cover strip.
- Bronze anodised aluminium with black silicone gasket and black cover strip.

Other finishes available to special order.

FIXING

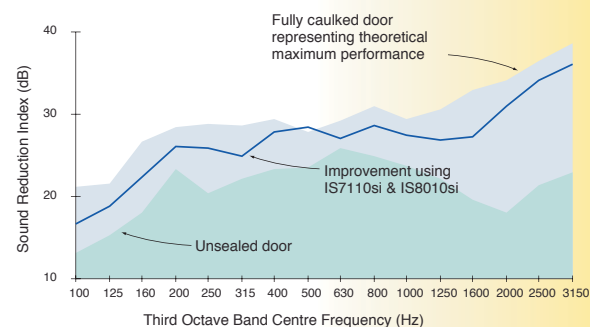
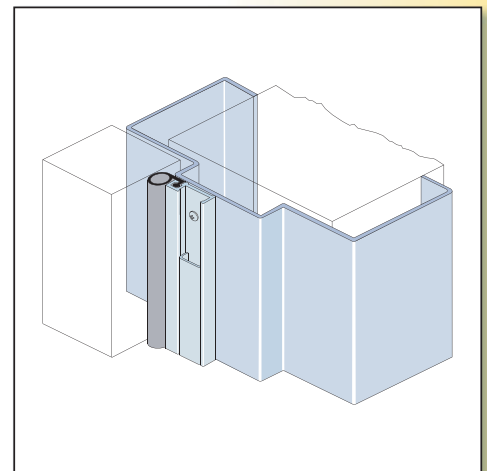
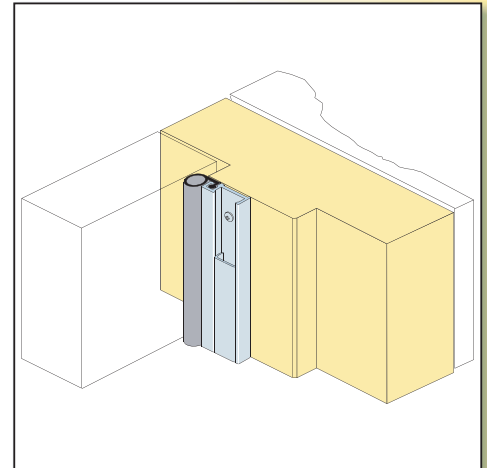
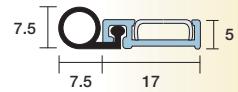
Self-drilling metal and timber fixing screws are supplied. Fixing holes are pre-drilled and slotted to allow the seals to be adjusted and positioned accurately. A decorative cover strip is supplied to conceal fixings.

APPROVAL/S

- Acoustic ratings to AS1191 and AS1276 in conjunction with other Lorient Integrity™ seals.

SPECIFICATIONS

- Lorient Integrity™ IS7110si fitted to the perimeter of the door frame.



Lorient reserves the right to alter published data or make products obsolete without prior notice.

Please contact our office if you require any further information

Head Office Ph: (07) 3635 5000 Fax: (07) 3861 9266

Toll Free 1300 858 010

E-mail sales@lorient.com.au www.lorient.com.au

Datasheet D-015-06/09. All measurements in mm. Copyright © 2009 Lorient Australia.

