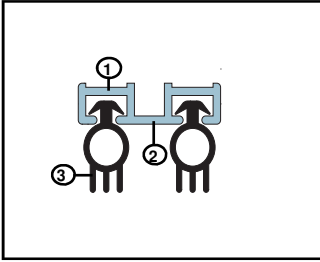


IS7130si

Fitting Instruction

Perimeter Seal



Length:

DESCRIPTION OF CONTENTS

- Aluminium carrier (1)
- Pre-drilled holes (2)
- Silicone rubber gasket (3)
- Bag of screws
- Fitting instruction

TOOLS REQUIRED FOR INSTALLATION

- Tape measure
- Saw (power or hand)
- Screw driver
- 2.5mm drill bit
- Drill (power or hand)
- Knife
- Pencil or Marker

INSTALLATION DETAIL

It is not necessary to remove the door from its hinges unless otherwise specified. The IS7130si is designed to be butt jointed at the corners.

STEP 1

Remove the seal from the packaging and measure the existing head (top) and jambs (sides) of the door frame to determine the seal lengths required, allowing for corner joints.

STEP 2

Pull back silicone gaskets and cut the aluminium carrier to the lengths required.

STEP 3

Pulling back into position, cut the silicone gaskets to the required lengths.

STEP 4

Position the seals to the door stops along the top and sides of the door frame (as illustrated) and mark out the hole locations with a pencil. (Ensure the top corners are neatly butt-jointed).

STEP 5

Lightly screw-fix each length to the door stops through the holes with the screws supplied. (Fixing holes are pre-drilled).

STEP 6

Close the door and check for a uniform seal around the door by inserting this sheet of paper between the seal and the door face. Resistance should be firm at all points.

STEP 7

Tighten screws as necessary.

Installation Tips

- Corner joints of the aluminium carrier may be slightly crimped or punched to prevent the silicone gasket from moving.
- If used in conjunction with a face fixed threshold seal, the perimeter seal must be fitted to the door frame first.

We recommend the IS7130si perimeter seal be fitted with the Lorient Integrity™ IS8010si or IS8090si automatic door bottom seal.

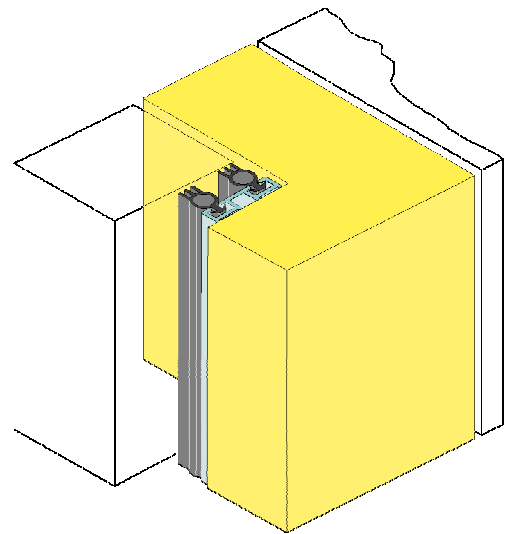
IMPORTANT

Ensure that the installation of this product does not impede the opening or closing of the door. It is recommended to check the adjustment of the door seal periodically to ensure the door assembly to which it is fitted, closes and latches properly.

NOTE

Recommendations as to methods for use of materials and construction details are based on the experience and knowledge of Lorient and are given in good faith as a general guide and service to designers, contractors and manufacturers.

Lorient reserves the right to make alterations or delete any installation detail without prior notice.



OTHER INTEGRITY™ ARCHITECTURAL SEALS INCLUDE:

- | | |
|-------------------------------|--------------------|
| ■ Door Perimeter Seals | ■ Threshold Plates |
| ■ Door Bottom Seals | ■ Brush Seals |
| ■ Automatic Door Bottom Seals | ■ Magnetic Seals |

Contact your nearest Lorient office for further details.

AUSTRALIA
Lorient Australia
Tel 1300 858 010

ASIA PACIFIC
Lorient Pacific Limited Hong Kong
Tel: (+852) 2505 0328

EUROPE
Lorient Polyproducts Ltd UK
Tel: (+44) 1626 834252

MIDDLE EAST
Lorient Middle East Building
Materials Trading LLC Dubai
Tel (+971) 4267 4339
Fax (+971) 4267 5339