


PRODUCT CODE
IS7130si
DESCRIPTION

Heavy duty door perimeter seal, rebated meeting stile and door bottom seal.

APPLICATION

The IS7130si is an acoustic seal, suitable for fitting to door stops of sufficient depth, around the head and jambs of single swing doors. Can also be rebated into meeting stiles and door bottoms.

KEY FEATURES

- Durable, "push-fit", flexible gaskets allow for quick and easy installation.
- Double seal configuration improves acoustic performance.
- Pre-drilled fixing holes.
- Easily installed without removing the door.

USE WITH

Used in conjunction with a Lorient Integrity™ 8000 series automatic door bottom seal and a 4000 series threshold plate to provide a total door sealing solution.

MATERIALS

An extruded and anodised aluminium profile combined with twin silicone rubber flexible gaskets.

GAP SIZE

Minimum 8mm - Maximum 10mm

SIZES

Standard Lengths 1000mm, 2250mm
Also available in 250mm increments: 1000mm to 5000mm
Seals can be cut on-site for exact dimensions.

FINISH

- Silver anodised aluminium with grey gasket.
- Bronze anodised aluminium with black gasket.

Other finishes available to special order.

FIXING

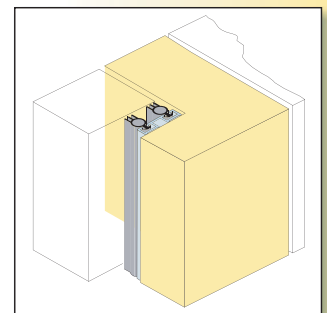
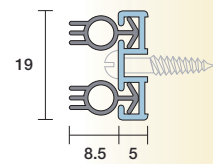
Fixing screws are supplied and fixing holes are pre-drilled. This seal cannot be adjusted.

APPROVAL/S

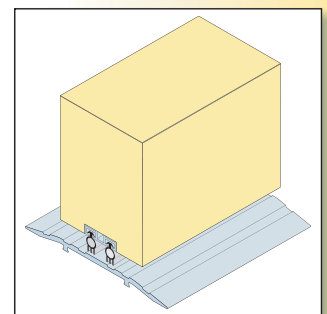
- Acoustic ratings to AS1191 and AS1276 in conjunction with other Lorient Integrity™ seals.

SPECIFICATIONS

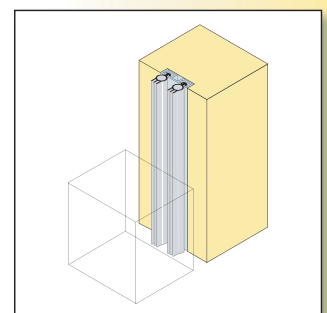
Lorient Integrity™ IS7130si fitted to the perimeter of the door frame.



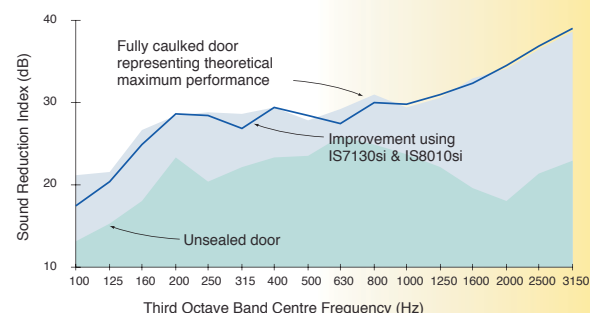
Above: Perimeter seal detail.



Above: Door bottom detail.



Above: Meeting stile detail for pairs of doors.



Lorient reserves the right to alter published data or make products obsolete without prior notice.

Please contact our office if you require any further information

Head Office Ph: (07) 3635 5000 Fax: (07) 3861 9266
Toll Free 1300 858 010
E-mail sales@lorient.com.au www.lorient.com.au

Datasheet D-013-06/09. All measurements in mm. Copyright © 2009 Lorient Australia.

