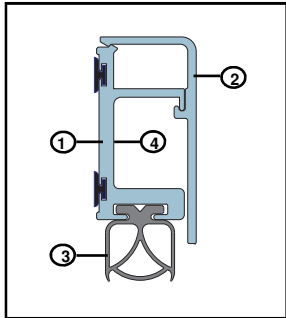


IS7190si

Fitting Instruction

Perimeter Seal



Length:

DESCRIPTION OF CONTENTS

- Aluminium carrier (1)
- Decorative cover plate (2)
- Silicone rubber gasket (3)
- Pre-drilled holes (4)
- Bag of screws
- Fitting instruction

TOOLS REQUIRED FOR INSTALLATION

- Tape measure
- Saw (power or hand)
- Screw driver
- 2.5mm drill bit
- Drill (power or hand)
- Knife
- Pencil or Marker

INSTALLATION DETAIL

It is not necessary to remove the door from its hinges unless otherwise specified. The IS7190si is designed to be butt-jointed at the corners.

STEP 1

Remove the seal from the packaging and measure the existing head (top) and jambs (sides) of the door frame to determine the seal lengths required, allowing for corner joints.

STEP 2

Pull back silicone gasket and cut the aluminium carriers to the lengths required.

STEP 3

Cut the decorative aluminium cover plate to the lengths required.

STEP 4

Slide silicone gasket back into position and trim to required lengths.

STEP 5

Position the seals to the head and jambs of the door frame and mark out the slotted hole locations with a pencil. (Ensure the top corners are neatly butt-jointed).

STEP 6

Lightly screw-fix each length to the head and jambs through the slotted holes with the screws supplied.

STEP 7

Close the door and check for a uniform seal around the door by inserting this sheet of paper between the seal and the door face. Resistance should be firm at all points.

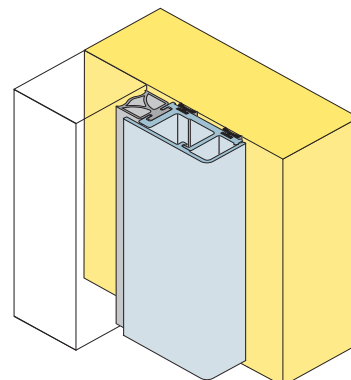
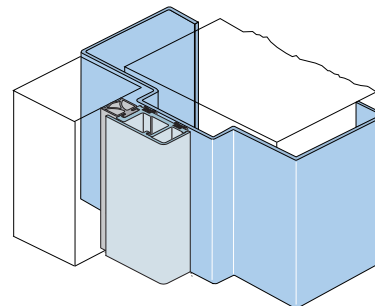
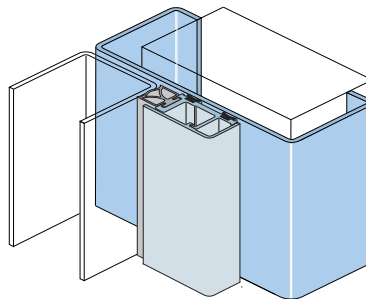
STEP 8

Tighten the screws and fit the decorative cover plates. (This is achieved by hooking the cover plate onto the end of the carrier and snapping into position with the palm of your hand)

Installation Tips

- Corner joints of the aluminium carrier may be slightly crimped or punched to prevent the flexible gasket from moving.
- If used in conjunction with a face fixed threshold seal, the perimeter seal must be fitted to the door frame first.
- Should circumstances require that the aluminium cover plate be removed, use a long flat bladed tool to lever plate away.

We recommend the IS7190si perimeter seal be fitted with the Lorient Integrity™ IS8090si automatic door bottom seal.



NOTE

Recommendations as to methods for use of materials and construction details are based on the experience and knowledge of Lorient and are given in good faith as a general guide and service to designers, contractors and manufacturers.

Lorient reserves the right to make alterations or delete any installation detail without prior notice.

IMPORTANT – Ensure that the installation of this product does not impede the opening or closing of the door. It is recommended to check the adjustment of the door seal periodically to ensure the door assembly to which it is fitted, closes and latches properly.

OTHER INTEGRITY™ ARCHITECTURAL SEALS INCLUDE:

- Door Perimeter Seals
- Door Bottom Seals
- Automatic Door Bottom Seals
- Threshold Plates
- Brush Seals
- Magnetic Seals

Contact your nearest Lorient office for further details.