

**PRODUCT CODE**
**IS7190si**
**DESCRIPTION**

A heavy duty perimeter seal.

**APPLICATION**

The IS7190si perimeter seal is designed for high performance acoustic applications and is fitted to the head and jambs of door perimeters (with or without door stops) on steel or timber frames.

**KEY FEATURES**

- Aesthetic, architectural appearance.
- Fixings concealed behind aesthetic aluminium cover plate.
- High performance, multi-chambered silicone gasket is supplied standard for best acoustic, fire and smoke performance.
- Durable elastomer fins are incorporated on the back of the external carrier housing to provide additional smoke and acoustic sealing properties against the door stop on frame.
- Easily installed without removing the door.
- Can be easily butt-jointed at the corners of the frame to provide a continuous seal, replacing the need for a door stop.

**USE WITH**

Used in conjunction with a Lorient Integrity IS8090si automatic door bottom seal and a 4000 series threshold plate to provide a total door sealing solution.

**MATERIALS**

An extruded and anodised aluminium profile, aluminium cover plate, combined with a flexible silicone gasket.

**GAP SIZE**

Minimum 0mm - Maximum 15mm

**SIZES**
**Door Sets**

Single	1 x 1000mm, 2 x 2100mm
Long Single	1 x 1000mm, 2 x 2750mm
Double	3 x 2100mm
Long Double	1 x 2100mm, 2 x 2750mm

**Standard Lengths** 1000mm, 2250mm

**Also available in** 250mm increments: 1000mm to 5000mm  
Seals can be cut on-site for exact dimensions.

**FINISH**

- Silver anodised aluminium with high performance grey silicone gasket.
- Bronze anodised aluminium with high performance black silicone gasket.

Other finishes available to special order.

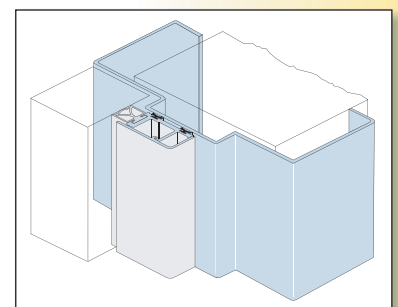
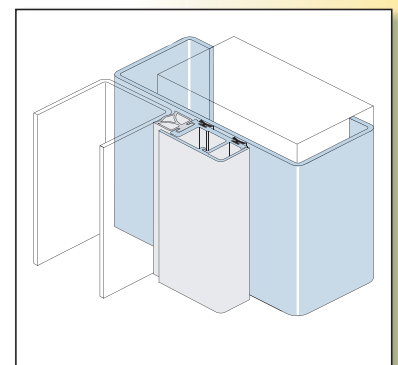
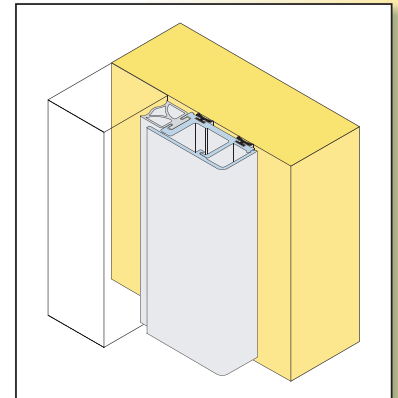
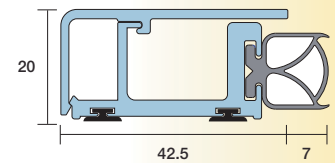
**FIXING**

Self-drilling metal and timber fixing screws are supplied. Anodised aluminium cover plate simply clips onto main carrier to conceal fixings.

*Note: When fixing to rebated frames of single doors, specify a long back set door latch.*

**SPECIFICATIONS**

Lorient Integrity™ IS7190si fitted to the perimeter of the door.


**APPROVAL/S**

- AS1530/4 fire tests with proprietary fire door assemblies.
- Acoustic ratings to AS1191 and AS1276 in conjunction with an IS8090si Integrity™ seal.
- Tests have been conducted, demonstrating over 1,000,000 open and close cycles without significant wear.

Lorient reserves the right to alter published data or make products obsolete without prior notice.

**Please contact our office if you require any further information**

**Head Office** Ph: (07) 3635 5000 Fax: (07) 3861 9266

**Toll Free** 1300 858 010

**E-mail** sales@lorient.com.au [www.lorient.com.au](http://www.lorient.com.au)

Datasheet D-041-06/09. All measurements in mm. Copyright © 2009 Lorient Australia.

